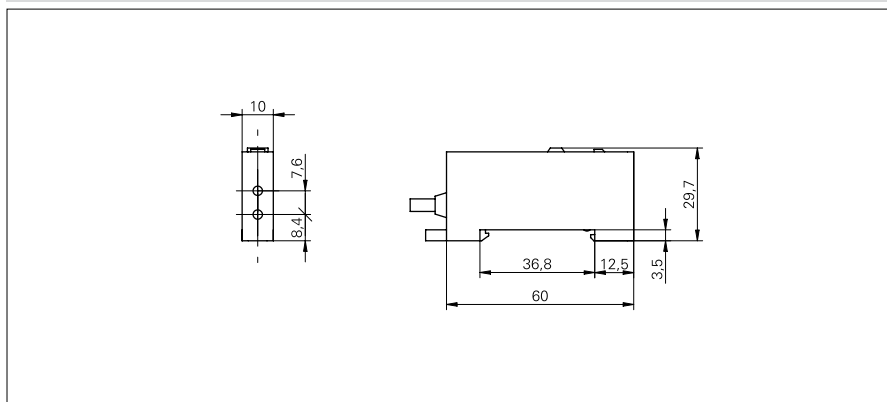


FVDK 10P82Y0

dimension drawing



general data

version	fast version
actual range S_b (FSE 200C1002)	100 mm
sensing distance T_w (FUE 200C1003)	30 mm
light source	pulsed red LED
light indicator	LED green
alignment / soiled lens indicator	LED green, flashing
output indicator	LED red
adjustment	potentiometer
wave length	680 nm
suppression of reciprocal influence	yes

electrical data

response time / release time	< 0,05 ms (release time +0.02 ms)
voltage supply range +Vs	10 ... 30 VDC
current consumption max. (no load)	35 mA
voltage drop Vd	< 1 VDC
output function	light / dark operate switchable
off delay	40 ms
output circuit	PNP
output current	< 100 mA
short circuit protection	yes
reverse polarity protection	yes

mechanical data

width / diameter	10 mm
height / length	29,7 mm
depth	60 mm
type	rectangular
housing material	polycarbonate/ABS
connection types	cable, 2 m

ambient conditions

operating temperature	-20 ... +60 °C
protection class	IP 40

photo



connection diagram

