

# Tippette

## Full Sized Rocker Switches

The Tippette Series is a traditionally styled rocker switch, available in sealed or unsealed versions. These switches are appropriate for use in general purpose applications which may or may not require a modicum of environmental protection. The Tippette Series is available in both illuminated and non-illuminated versions and features a wide variety of circuits, actuator styles and bracket options. This versatile offering includes international agency certifications and ratings to 26 amps for select circuits.



**Carling Technologies®**

Innovative Designs. Powerful Solutions.

Innovative Designs. Powerful Solutions.

Carling Technologies, Inc.  
60 Johnson Avenue • Plainville, CT 06062-1177  
Phone: (860) 793-9281 • Fax: (860) 793-9231  
Email: [sales@carlingtech.com](mailto:sales@carlingtech.com) • [www.carlingtech.com](http://www.carlingtech.com)

## Electrical

|                       |   |
|-----------------------|---|
| Contact Rating        | 15 amps, 125 VAC<br>10 amps, 250 VAC<br>3/4 HP 125-250 VAC<br>15 amps, 12-30 VDC  |
| Life                  | 25,000 cycles circuit dependent<br>50,000 cycles circuit dependent<br>consult factory for applicable circuits.  |
| Contacts<br>Terminals | Fine silver, silver cad-oxide<br>Brass or copper/silver plate<br>1/4" (6.3mm) Quick Connect terminations standard.<br>Solder lug - Brass Tin Plated<br>Wire Lead 16 gauge standard 105°C<br>600VAC<br>Screw Terminals - Brass |

## Mechanical

|           |                        |
|-----------|------------------------|
| Endurance | 100,000 cycles minimum |
|-----------|------------------------|

## Physical

|                |   |
|----------------|---|
| Lighted        | Incandescent - rated 10,000 hours<br>Neon - rated 25,000 hours    |
| Seals          | Bracket - Actuator WBL/MBL<br>optional external gasket panel seal |
| Base           | Phenolic (150°C)  |
| Rocker/Bracket | Nylon 66 (105°C)  |

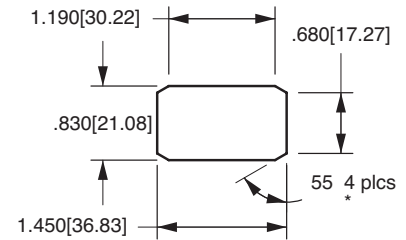
## Agency Certifications



Select circuits and constructions with IEC approvals are available. Consult factory

## Mounting

**MOUNTING HOLE**  
(Nylon Snap-in Brackets)  
Panel Thickness:  
.040 min. - .250 max.



\*Angled corners are suggested for optimum fit.  
Standard rectangular cutout is acceptable.

\*Manufacturer reserves the right to change product specification without prior notice.

# TIGA51 - 6M - BL - MBL

<sup>1</sup> Base Part Number      <sup>2</sup> Actuator Style      <sup>3</sup> Actuator Color      <sup>4</sup> Bracket

## 1 BASE PART NUMBER: SERIES/POLES/CIRCUITRY<sup>8,11,13</sup>/RATING<sup>7</sup>/TERMINATION<sup>10</sup>

10A 250VAC, 15A 125VAC, 3/4 HP 125-250VAC, 15A 6-28VDC<sup>7</sup>

### Single Pole in Double Pole base<sup>2</sup>

| Part No. | Series | Poles  | Circuitry | Rating        | Termination |
|----------|--------|--------|-----------|---------------|-------------|
| TIGA50   | TIGA51 | TIGA54 | TIGA55    | On-None-Off   |             |
| TIGA5A   | TIGA5B | TIGA5E | TIGA5F    | (On)-None-Off |             |
| TIGA5L   | TIGA5M | TIGA5S | TIGA5T    | On-None-(Off) |             |
| TIGB50   | TIGB51 | TIGB54 | TIGB55    | On-None-On    |             |
| TIGB5A   | TIGB5B | TIGB5E | TIGB5F    | On-None-(On)  |             |
| TIGC50   | TIGC51 | TIGC54 | TIGC55    | On-Off-On     |             |
| TIGC5A   | TIGC5B | TIGC5E | TIGC5F    | On-Off-(On)   |             |
| TIGC5L   | TIGC5M | TIGC5S | TIGC5T    | (On)-Off-(On) |             |

### Double Pole

| Part No. | Series | Poles  | Circuitry | Rating        | Termination |
|----------|--------|--------|-----------|---------------|-------------|
| TIGK50   | TIGK51 | TIGK54 | TIGK55    | On-None-Off   |             |
| TIGK5A   | TIGK5B | TIGK5E | TIGK5F    | (On)-None-Off |             |
| TIGK5L   | TIGK5M | TIGK5S | TIGK5T    | On-None-(Off) |             |
| TIGL50   | TIGL51 | TIGL54 | TIGL55    | On-None-On    |             |
| TIGL5A   | TIGL5B | TIGL5E | TIGL5F    | On-None-(On)  |             |
| TIGM50   | TIGM51 | TIGM54 | TIGM55    | On-Off-On     |             |
| TIGM5A   | TIGM5B | TIGM5E | TIGM5F    | On-Off-(On)   |             |
| TIGM5L   | TIGM5M | TIGM5S | TIGM5T    | (On)-Off-(On) |             |

### Three Pole

| Part No. | Series | Poles  | Circuitry | Rating        | Termination |
|----------|--------|--------|-----------|---------------|-------------|
| TIHK50   | TIHK51 | TIHK54 | TIHK55    | On-None-Off   |             |
| TIHK5A   | TIHK5B | TIHK5E | TIHK5F    | (On)-None-Off |             |
| TIHK5L   | TIHK5M | TIHK5S | TIHK5T    | On-None-(Off) |             |
| TIHL50   | TIHL51 | TIHL54 | TIHL55    | On-None-On    |             |
| TIHL5A   | TIHL5B | TIHL5E | TIHL5F    | On-None-(On)  |             |
| TIHM50   | TIHM51 | TIHM54 | TIHM55    | On-Off-On     |             |
| TIHM5A   | TIHM5B | TIHM5E | TIHM5F    | On-Off-(On)   |             |
| TIHM5L   | TIHM5M | TIHM5S | TIHM5T    | (On)-Off-(On) |             |

### Four Pole

| Part No. | Series | Poles  | Circuitry | Rating        | Termination |
|----------|--------|--------|-----------|---------------|-------------|
| TIJK50   | TIJK51 | TIJK54 | TIJK55    | On-None-Off   |             |
| TIJK5A   | TIJK5B | TIJK5E | TIJK5F    | (On)-None-Off |             |
| TIJK5L   | TIJK5M | TIJK5S | TIJK5T    | On-None-(Off) |             |
| TIIL50   | TIIL51 | TIIL54 | TIIL55    | On-None-On    |             |
| TIIL5A   | TIIL5B | TIIL5E | TIIL5F    | On-None-(On)  |             |
| TIIM50   | TIIM51 | TIIM54 | TIIM55    | On-Off-On     |             |
| TIIM5A   | TIIM5B | TIIM5E | TIIM5F    | On-Off-(On)   |             |
| TIIM5L   | TIIM5M | TIIM5S | TIIM5T    | (On)-Off-(On) |             |

### VDE APPROVED

10A 250VAC, 15A 125VAC, 12(6)A 250VAC T85

### Single Pole in Double Pole base<sup>2</sup>

| Part No. | Series | Poles  | Circuitry | Rating      | Termination |
|----------|--------|--------|-----------|-------------|-------------|
| TIGA90   | TIGA91 | TIGA95 |           | On-None-Off |             |
| TIGB90   | TIGB91 | TIGB95 |           | On-None-On  |             |
| TIGC90   | TIGC91 | TIGC95 |           | On-Off-On   |             |

### Double Pole

| Part No. | Series | Poles  | Circuitry | Rating      | Termination |
|----------|--------|--------|-----------|-------------|-------------|
| TIGK90   | TIGK91 | TIGK95 |           | On-None-Off |             |
| TIGL90   | TIGL91 | TIGL95 |           | On-None-On  |             |
| TIGM90   | TIGM91 | TIGM95 |           | On-Off-On   |             |

Additional ratings up to 20A 125-277VAC, 1 1/2HP 125 VAC, 2HP 250VAC are available. Consult factory for specifics.

## 2 ACTUATOR STYLE

|    |   |    |   |
|----|---|----|---|
| 1S | Angular/Smooth Face Gloss <sup>12</sup>           | 6M | Curved/Smooth Face Matte <sup>3</sup>         |
| 1C | Angular/Cross Serrations Gloss <sup>12</sup>      | 6S | Curved/Smooth Face Gloss <sup>3</sup>         |
| 1F | Flatted/Smooth Face Gloss <sup>12</sup>           | 7S | Rounded Paddle/Smooth Face Gloss <sup>1</sup> |
| 1L | Angular/Longline Serrations Gloss <sup>1,12</sup> | 7N | Witch's Hat/Narrow <sup>15</sup>              |
| 2L | Long Smooth/Narrow <sup>15</sup>                  | 7P | Witch's Hat/Wide <sup>15</sup>                |

## 3 ACTUATOR COLOR<sup>9</sup>

BL black WH white RD red

## 4 BRACKET STYLE<sup>9</sup>

|        |   |
|--------|---|
| A      | Screw Mount <sup>5</sup>                  |
| B      | Screw Mount <sup>5,12</sup>               |
| C      | Screw Mount <sup>5</sup>                  |
| H      | Screw Mount <sup>5</sup>                  |
| NBL    | Nylon Black                               |
| WBL    | Watershedding Black <sup>4</sup>          |
| MBL    | Marine Style Black <sup>4,6</sup>         |
| FN     | Metal Snap-In <sup>5</sup>                |
| FN BLK | Black Metal Snap-In <sup>5</sup>          |
| FN SS  | Stainless Steel Snap-In <sup>5</sup>      |
| FW     | Wide Stainless Steel Snap-In <sup>5</sup> |

### Notes:

- NBL, FN, & FW brackets only.
- For single pole switch in a single pole base, specify TIL with single pole circuitry/rating/termination.
- NBL, WBL, & MBL brackets only. With 6M actuator, brackets also will be matte finish.
- 6M & 6S actuators only.
- Not available with 6M & 6S actuators.
- Consists of WBL bracket, neoprene seal, and dummy rivets at open holes. Consult factory for agency approval status.
- All ratings are appropriate for usage in low voltage applications.
- For additional special circuits, see page 21.....?!?!?
- Custom colors are available, consult factory.
- .187 tab and PC terminations are also available. Consult factory for catalog number callout.
- ( ) momentary
- Not available with WBL or MBL style brackets.
- Additional circuits available. See page 21.
- Available with bracket A, C or H only.
- Not available with MBL, WBL or H brackets. Can be supplied as a double rocker to control separate poles of a TIG, TIH or TII switch. Consult factory for details.

# LTILA51 - 6M - BL - RC - MBL - 12V

<sup>1</sup> Base Part Number      <sup>2</sup> Actuator Style      <sup>3</sup> Actuator Color      <sup>4</sup> Lens Color      <sup>5</sup> Bracket      <sup>6</sup> Lamp Voltage

## 1 BASE PART NUMBER: SERIES/POLES/ILLUMINATION/CIRCUITRY<sup>12</sup>/RATING<sup>10</sup>/TERMINATION<sup>14</sup>

10A 250VAC, 15A 125VAC, 3/4 HP 125-250VAC, 15A 15-28VDC

### illuminated Single Pole in Double Pole base

| Part No. | Series  | Poles   | Termination |
|----------|---------|---------|-------------|
| LTILA50  | LTILA51 | LTILA54 | LTILA55     |
| LTILA5A  | LTILA5B | LTILA5E | LTILA5F     |
| LTILA5L  | LTILA5M | LTILA5S | LTILA5T     |
| LTILB50  | LTILB51 | LTILB54 | LTILB55     |
| LTILB5A  | LTILB5B | LTILB5E | LTILB5F     |
| LTILC50  | LTILC51 | LTILC54 | LTILC55     |
| LTILC5A  | LTILC5B | LTILC5E | LTILC5F     |
| LTILC5L  | LTILC5M | LTILC5S | LTILC5T     |

### illuminated Double Pole

| Part No. | Series  | Poles   | Termination |
|----------|---------|---------|-------------|
| LTIGK50  | LTIGK51 | LTIGK54 | LTIGK55     |
| LTIGK5A  | LTIGK5B | LTIGK5E | LTIGK5F     |
| LTIGK5L  | LTIGK5M | LTIGK5S | LTIGK5T     |
| LTIGL50  | LTIGL51 | LTIGL54 | LTIGL55     |
| LTIGL5A  | LTIGL5B | LTIGL5E | LTIGL5F     |
| LTIGM50  | LTIGM51 | LTIGM54 | LTIGM55     |
| LTIGM5A  | LTIGM5B | LTIGM5E | LTIGM5F     |
| LTIGM5L  | LTIGM5M | LTIGM5S | LTIGM5T     |

Additional ratings up to 12A 250VAC, 17A 125 VAC, 3/4 HP 125 VAC, 1HP 250VAC are available. Consult factory for specifics.

Three pole switch is also available: Substitute H for fourth digit of part number. ex. LTIHK51

## 2 ACTUATOR STYLE<sup>4</sup>

|    |  |
|----|--|
| 1S | Angular/Smooth Face Gloss <sup>1</sup>         |
| 1C | Angular/Cross Serrations Gloss <sup>1</sup>    |
| 1L | Angular/Longline Serrations Gloss <sup>1</sup> |
| 6M | Curved/Smooth Face Matte <sup>3</sup>          |
| 6S | Curved/Smooth Face Gloss <sup>3</sup>          |
| 7S | Rounded Paddle/Smooth Face Gloss <sup>2</sup>  |

## 3 ACTUATOR COLOR<sup>11</sup>

BL black WH white RD red

## 4 LENS COLOR<sup>13</sup>

|    |                   |    |       |    |                    |
|----|-------------------|----|-------|----|--------------------|
| AM | amber             | RC | red   | GN | green <sup>7</sup> |
| LU | blue <sup>7</sup> | CL | clear | WH | white              |

## 5 BRACKET STYLE<sup>11</sup>

|        |  |
|--------|--|
| NBL    | Nylon Black                            |
| WBL    | Watershedding Black <sup>5</sup>       |
| MBL    | Marine Style Black <sup>3,8</sup>      |
| FN     | Metal Snap-In <sup>4,6</sup>           |
| FN BLK | Black Metal Snap-In <sup>4,6</sup>     |
| FN SS  | Stainless Steel Snap-In <sup>4,6</sup> |

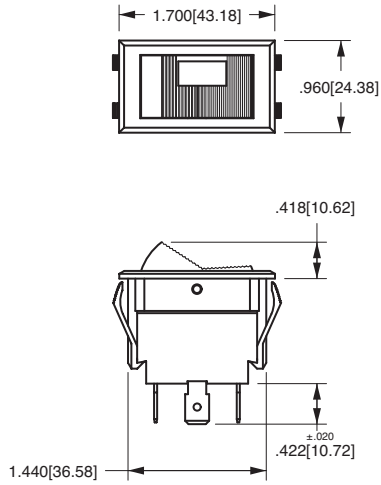
## 6 LAMP VOLTAGE

|                   |          |      |          |     |         |
|-------------------|----------|------|----------|-----|---------|
| neon <sup>9</sup> |          |      |          |     |         |
| 125N              | 125 volt | 250N | 250 volt |     |         |
| incandescent      |          |      |          |     |         |
| 6V                | 6 volt   | 12V  | 12 volt  | 18V | 18 volt |
| 24V               | 24 volt  | 28V  | 28 volt  |     |         |

### Notes:

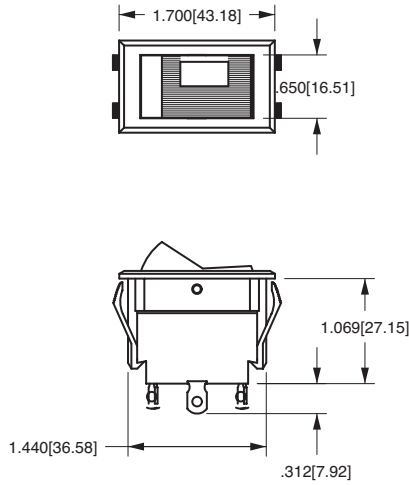
- NBL, FN, & FW brackets only. Double pole circuits provided with 3 pole base.
- LTIL-Series with NBL, FN, & FW brackets only.
- NBL, WBL, & MBL brackets only. With 6M actuator, bracket will also be matte finish.
- 1S, 1C, 1L & 7S with NBL bracket only available with LTIL-Series.
- 6M, 6S actuators only.
- Not available with 6M & 6S actuators.
- Not recommended with neon lamps.
- Consists of WBL bracket, neoprene seal, dummy rivets at open holes. Consult factory for agency approval status.
- Not recommended with blue or green lenses.
- All ratings are appropriate for usage in low voltage applications.
- Custom colors and additional bracket styles are available, consult factory.
- ( ) - momentary
- ( - ) - momentary
- All double throw circuits supplied with two lenses. To specify two different lens colors, specify second color, after first color. (ex. LTIGM51-6S-BL-RC/GN-WBL-12V)
- .187 tab and PC terminations are also available. Consult factory for catalog number callout.

**1C**  
CROSS-LINE W/ONE LENS



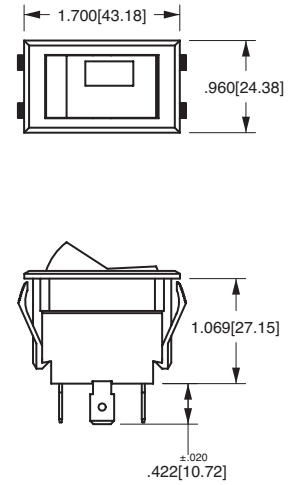
WITH .250 TAB  
TERMINALS  
AND NBL BRACKET

**1L**  
LONG-LINE W/ONE LENS



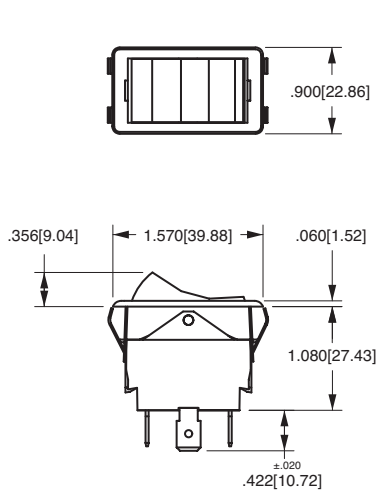
WITH SOLDER LUG  
TERMINAL  
AND NBL BRACKET

**1S**  
SMOOTH W/ONE LENS



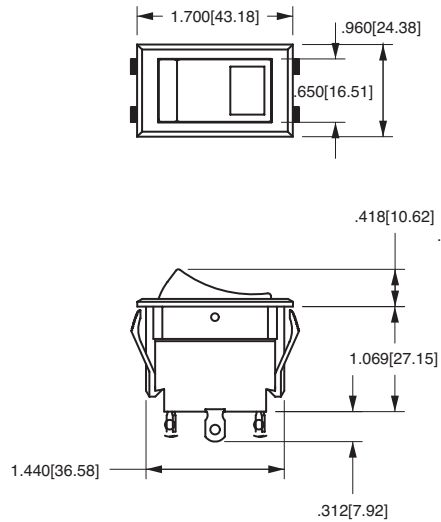
WITH .250 TAB  
TERMINALS  
AND NBL BRACKET

**1F**  
FLATTED STYLE NO LENS



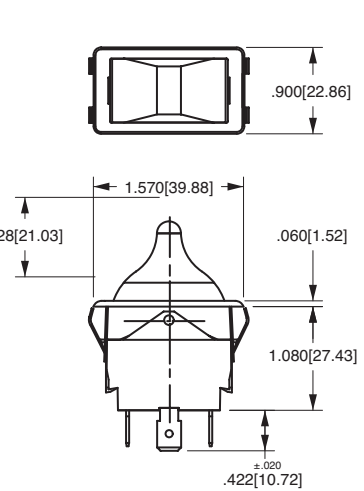
WITH .250 TAB  
TERMINALS  
AND FN BRACKET

**6M, 6S**  
CURVED W/ONE LENS

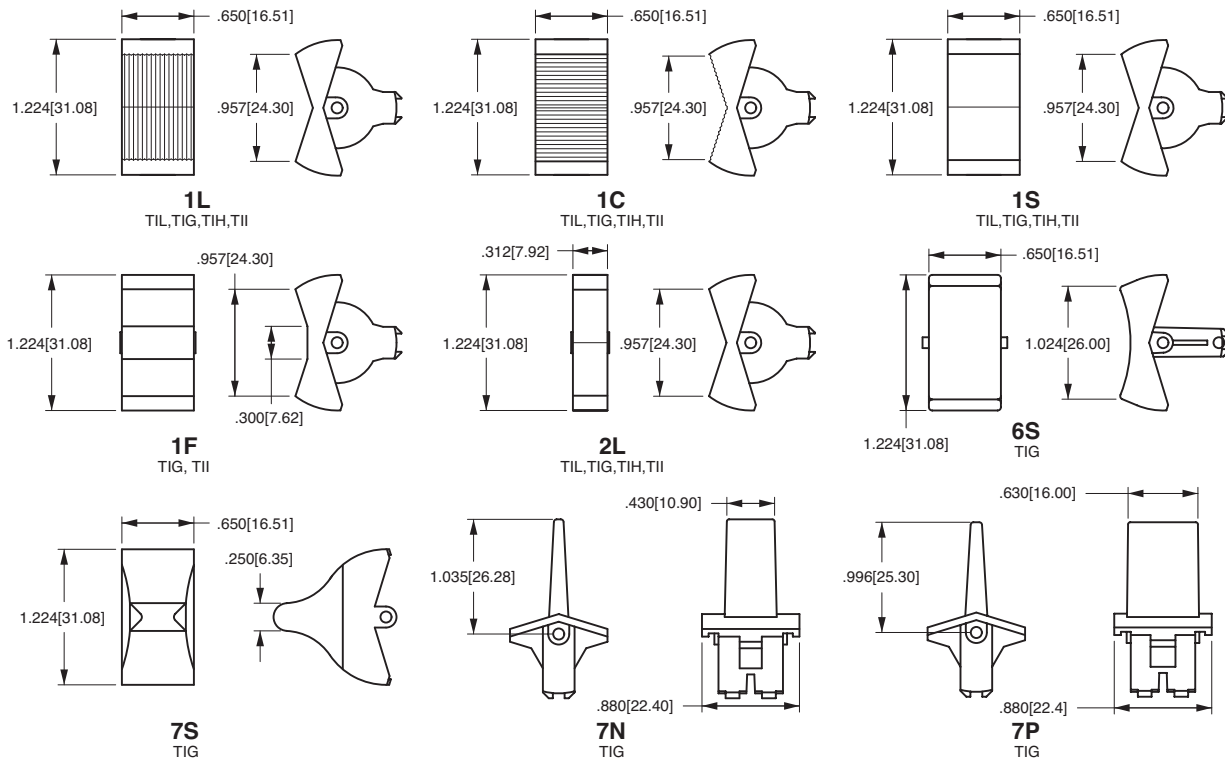
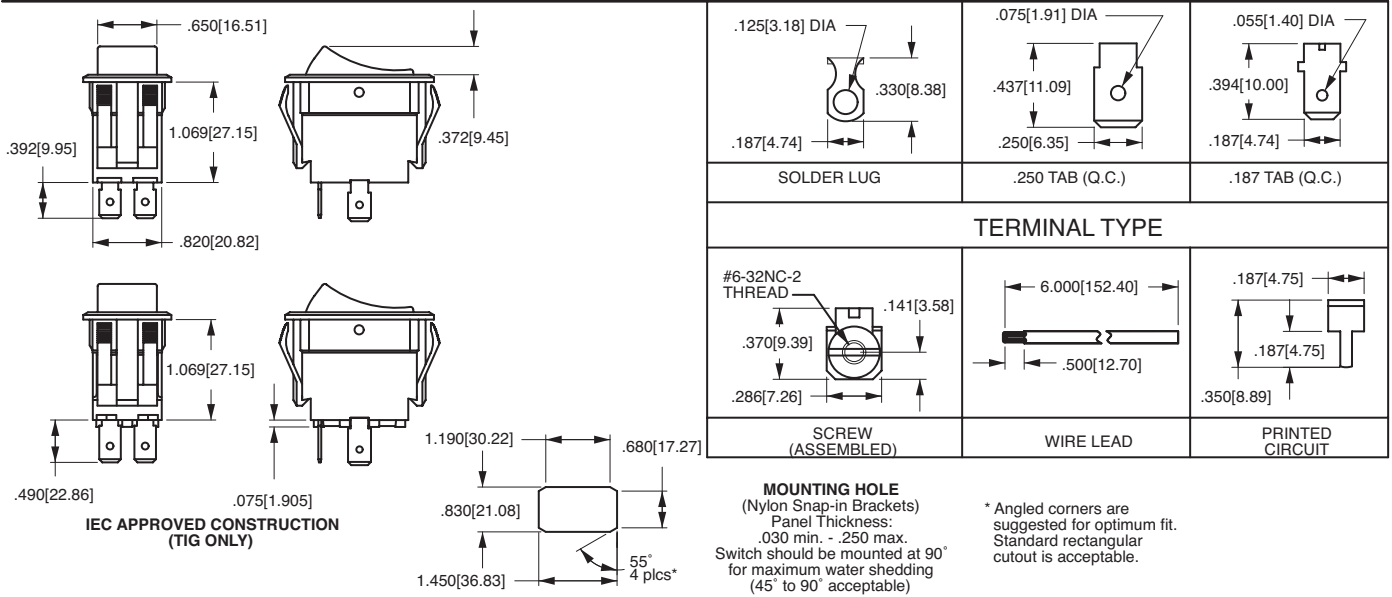


WITH SOLDER LUG  
TERMINALS  
AND NBL BRACKET

**7S**  
TOGGLE-STYLE W/ONE LENS



WITH .250 TAB  
TERMINALS  
AND FN BRACKET

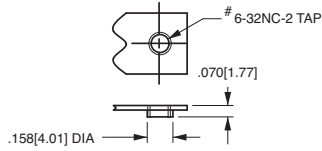


**SPECIAL CIRCUITS FOR TIPPETTE ROCKER SWITCHES**

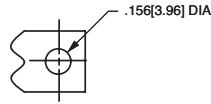
| Circuit                  | Position 1         | Position 2       | Position 3   |
|--------------------------|--------------------|------------------|--------------|
| Progressive Two Circuit  |                    |                  |              |
| <b>GG</b>                | BOTH CIRCUITS ON   | ONE CIRCUIT ON   | OFF          |
| <b>GG</b>                | BOTH CIRCUITS (ON) | ONE CIRCUIT ON   | OFF          |
| Single Pole Triple Throw |                    |                  |              |
| <b>GE</b>                | ON                 | ON               | ON           |
| Two Circuit              |                    |                  |              |
| <b>GH</b>                | CIRCUIT 1 ON       | BOTH CIRCUITS ON | CIRCUIT 2 ON |
| <b>GP</b>                | CIRCUIT 2 ON       | CIRCUIT 1 ON     | OFF          |
| Reversing Double Pole    |                    |                  |              |
| <b>GO</b>                | ON                 | OFF              | ON           |
| <b>GX</b>                | ON                 | NONE             | ON           |

( ) Indicates momentary function.

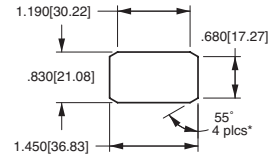
**Dimensional Specifications: in. [mm]**



**TAPPED HOLE**  
Standard with  
A & B Brackets



**CLEARANCE HOLE**  
Standard with  
C Bracket



**MOUNTING HOLE**  
(Nylon Snap-in Brackets)  
Panel Thickness:  
.030 min. - .250 max.

\* Angled corners are suggested for optimum fit. Standard rectangular cutout is acceptable.

| TIL                      | TIG                          | TII                          | TIH                     |
|--------------------------|------------------------------|------------------------------|-------------------------|
| <p><b>A</b><br/>TIL</p>  | <p><b>A</b><br/>TIG</p>      | <p><b>A</b><br/>TII</p>      | <p><b>A</b><br/>TIH</p> |
| <p><b>B</b><br/>TIL</p>  | <p><b>B</b><br/>TII, TIG</p> |                              |                         |
| <p><b>CX</b><br/>TIL</p> | <p><b>C</b><br/>TIG</p>      | <p><b>C</b><br/>TIH, TII</p> |                         |

