

R-Series



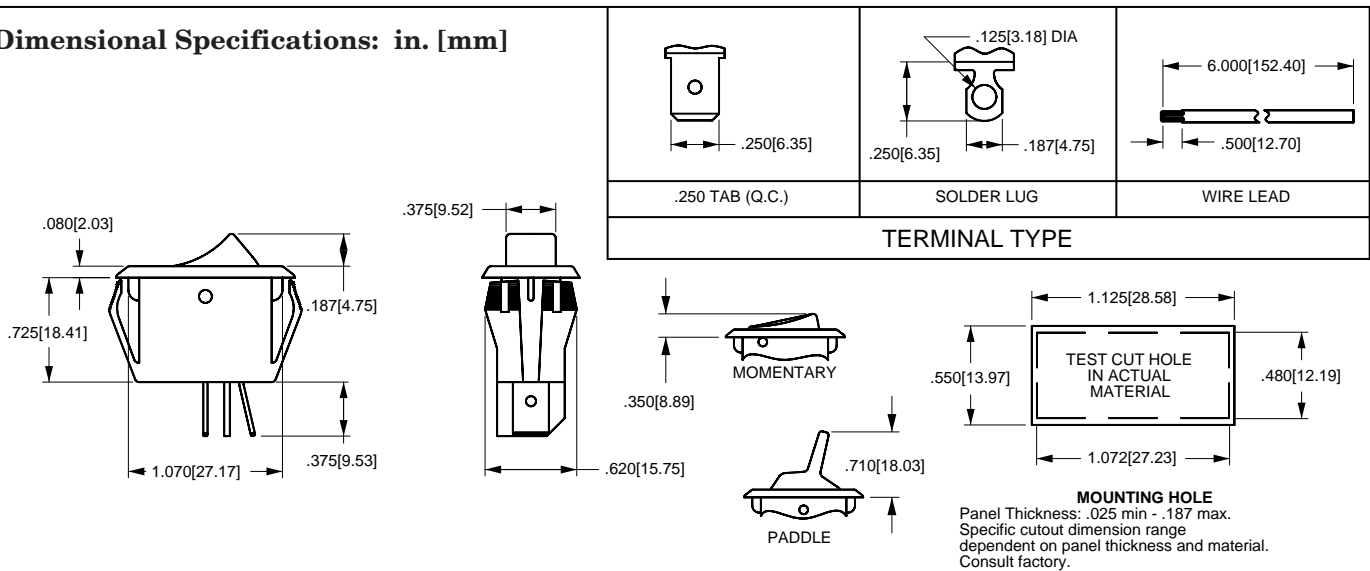
The R-Series Curvette single pole miniature snap-in rocker switches are available with momentary, rocker, paddle & Visi-Rocker type actuators. These aesthetically pleasing switches are compatible with a range of standard panel cutouts. Electrical ratings, with international approvals, are available up to 16 amps.

Specifications

- Certifications*: UL, CSA, VDE, TUV, SEMKO, DEMKO, NEMKO, FIMKO, SEV and BEAB
- Dielectric Strength: 1,000 V (minimum)
- Insulation Resistance: 100 Megohms (minimum)
- Base Material: Nylon
- Actuator Material: Polyester or Nylon

* Due to ongoing technological advances, consult factory for certification specifics.

Dimensional Specifications: in. [mm]



R A 91 1 - V B - B - 0 - V

SERIES	RATING¹	TERMINATION	BASE COLOR²	COLOR OF MOLDED-IN LEGEND AND/OR VISI-ROCKER END²
R SINGLE POLE	20 10A 250VAC 16A 125VAC 3/4HP 125-250VAC	0 SOLDER LUG 1 .250TAB (QC) 5 WIRE LEAD	B BLACK W WHITE	N NOT APPLICABLE B BLACK V VISI-RED W WHITE
CIRCUIT	21 10A 250 VAC 16A 125VAC	ACTUATOR STYLE	ROCKER FACE LEGEND	
A OFF-NONE-ON	22 8A 250VAC 12A 125VAC	M MOMENTARY ROCKER	0 NO LEGEND	INK TRANSFER STAMP⁴
B ON-NONE-ON	23 10A 250VAC 16A 125VAC	P PADDLE	1 OFF-ON (VERTICAL)	0
C ON-OFF-ON Available w/ratings 21, 23, 58, & 91 only	58 5A 277VAC 10A 125VAC	R ROCKER V TWO COLOR VISI-ROCKER	2 OFF-ON (HORIZONTAL)	A
D OFF-NONE-(ON) Available w/rating 22 only	90 10A 250VAC 16A 125VAC	ACTUATOR COLOR²	8 O-I (HORIZONTAL)	B
AD OFF-NONE-ON Double Insulation	91 10A 250VAC 16A 125VAC	B BLACK W WHITE	9 O-I (VERTICAL)	D
BD ON-NONE-ON Double Insulation	10(4)A 250VAC μ T85		ON-OFF (VERTICAL)	E
CD ON-OFF-ON Double Insulation Available w/ratings 21 and 58 only	10(4)A 250VAC μ T85		ON-OFF (HORIZONTAL)	F
			DUAL LEGEND: OFF O-I ON (VERTICAL)	G
				H

NOTES:
Shading indicates standard configurations.
Panel Cut-Out Recommendations: For sheet metal panels, switch must enter panel in same direction as the punch. (Burr on bottom.) Test cut hole in actual material.
1 Additional ratings are available. Consult factory.
Rating 22 must use circuit D only and momentary rocker.
2 Matte finish is standard. Custom colors are available. Consult factory.
3 Molded-in Legend available only with Visi-Rocker option.
4 White is standard with dark actuators; black is standard with light actuators.