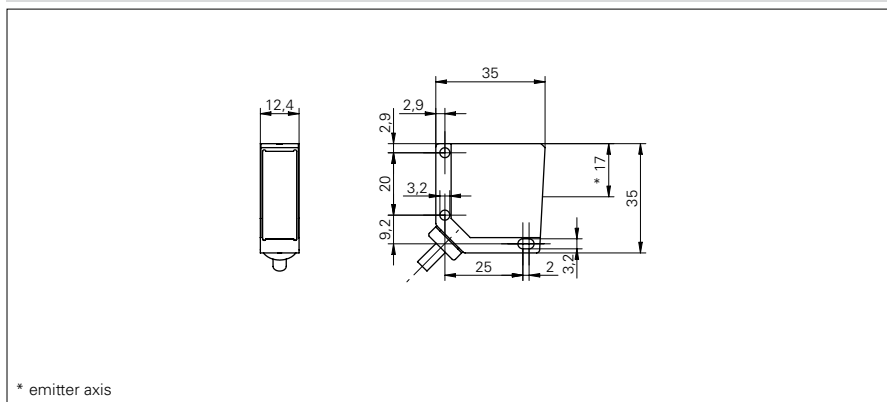


## Through beam sensors

## FSDM 12D9601

## dimension drawing



## general data

type	through beam sensor
emitter / receiver	emitter
light source	pulsed red LED
actual range $S_b$	6 m
nominal range $S_n$	7,5 m
wave length	660 nm

## electrical data

voltage supply range +Vs	10 ... 30 VDC
current consumption max. (no load)	30 mA
current consumption typ.	18 mA
reverse polarity protection	yes

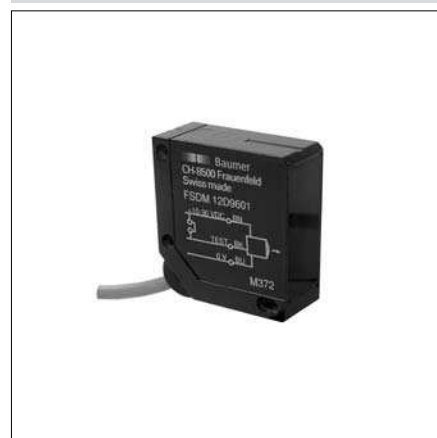
## mechanical data

width / diameter	12,4 mm
height / length	35 mm
depth	35 mm
type	rectangular
housing material	die-cast zinc
front (optics)	PMMA
connection types	cable 3 pin, 2 m

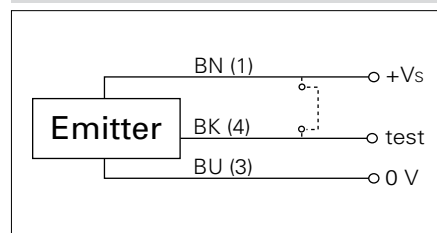
## ambient conditions

operating temperature	-25 ... +65 °C
protection class	IP 67

## photo



## connection diagram



- emitter without LED