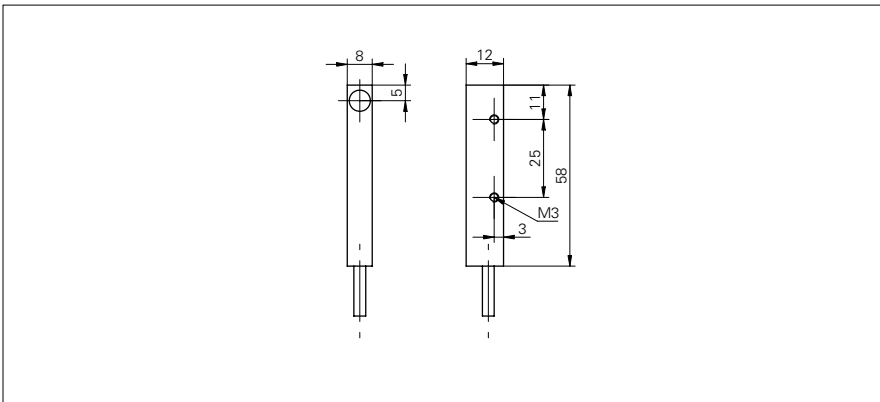


Through beam sensors

FSDM 08D9001

dimension drawing



general data

| | |
|---------------------|-----------------------|
| type | through beam sensor |
| emitter / receiver | emitter |
| light source | pulsed infrared diode |
| actual range S_b | 0,7 m |
| nominal range S_n | 1 m |
| wave length | 880 nm |

electrical data

| | |
|------------------------------------|---------------|
| voltage supply range +Vs | 10 ... 30 VDC |
| current consumption max. (no load) | 48 mA |
| current consumption typ. | 17 mA |
| reverse polarity protection | yes |

mechanical data

| | |
|------------------|-------------------|
| width / diameter | 8 mm |
| height / length | 58 mm |
| depth | 12 mm |
| type | rectangular |
| housing material | aluminum anodized |
| front (optics) | PC |
| connection types | cable 3 pin, 2 m |

ambient conditions

| | |
|-----------------------|----------------|
| operating temperature | -25 ... +65 °C |
| protection class | IP 65 |

photo



connection diagram

