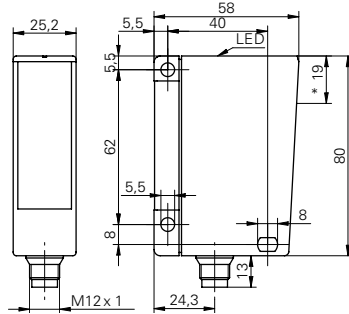


## Through beam sensors

## FSDK 26D9003/S14

## dimension drawing



\* emitter axis

## general data

type	through beam sensor
emitter / receiver	emitter
light source	pulsed infrared diode
actual range $S_b$	20 m
nominal range $S_n$	25 m
wave length	880 nm

## electrical data

voltage supply range +Vs	10 ... 30 VDC
current consumption max. (no load)	38 mA
current consumption typ.	28 mA
reverse polarity protection	yes

## mechanical data

width / diameter	25 mm
height / length	80 mm
depth	58 mm
type	rectangular
housing material	plastic (ASA)
front (optics)	PMMA
connection types	connector M12 4 pin

## ambient conditions

operating temperature	-25 ... +65 °C
protection class	IP 67

## photo



## connection diagram

