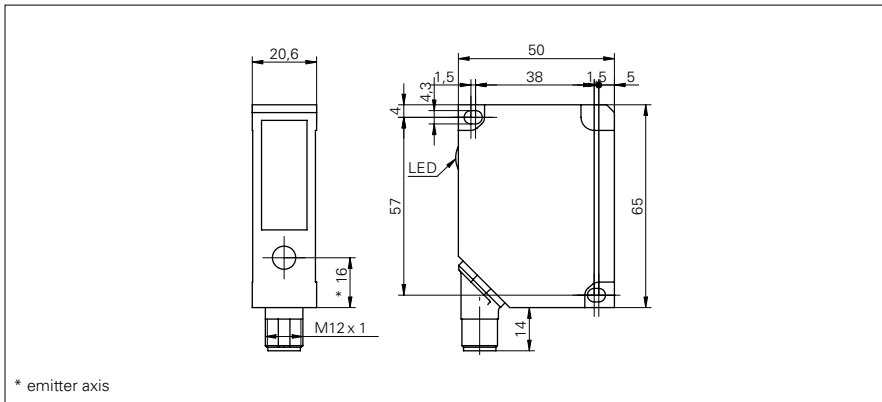


Distance sensors

OADM 20S4460/S14F

dimension drawing



general data

| | |
|-----------------------|------------------------|
| measuring distance Sd | 30 ... 130 mm |
| adjustment | no |
| power on indication | LED green |
| soiled lens indicator | LED red |
| resolution | 0,05 ... 0,07 mm |
| linearity error | ± 0,15 ... ± 0,22 mm |
| light source | pulsed red laser diode |
| wave length | 650 nm |
| laser class | 2 |
| beam type | point |
| beam diameter | 2 ... 1 mm |
| temperature drift | < 0,03 % Sde/K |

electrical data

| | |
|------------------------------------|----------------|
| response time / release time | < 10 ms |
| voltage supply range +Vs | 12 ... 28 VDC |
| current consumption max. (no load) | 100 mA |
| output circuit | RS 485 |
| baud rate | 19200 |
| output current | < 100 mA |
| alarm output | push-pull |
| short circuit protection | yes |
| reverse polarity protection | yes, Vs to GND |

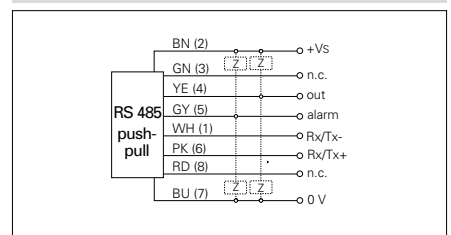
mechanical data

| | |
|------------------|--------------------------------|
| width / diameter | 20,6 mm |
| height / length | 65 mm |
| depth | 50 mm |
| type | rectangular |
| housing material | die-cast zinc |
| front (optics) | glass |
| connection types | connector M12 8 pin, rotatable |

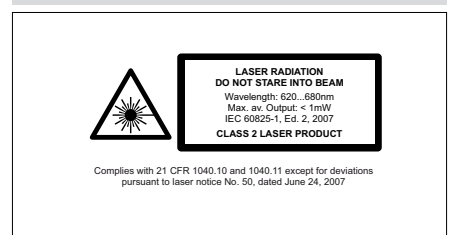
photo



connection diagram



laser warning



Distance sensors**OADM 20S4460/S14F****ambient conditions**

| | |
|------------------------|--------------|
| ambient light immunity | < 7 kLux |
| operating temperature | 0 ... +50 °C |
| protection class | IP 67 |