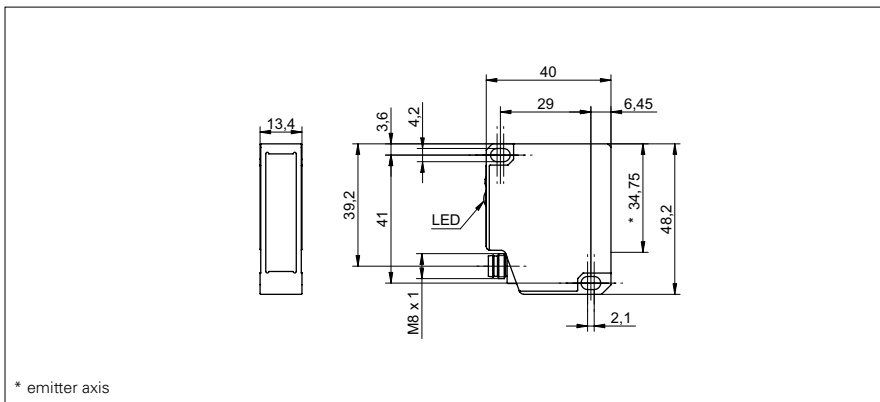


Distance sensors

OADM 13S6575/S35A

dimension drawing



general data

measuring distance Sd	50 ... 350 mm
adjustment	no
power on indication	LED green
resolution	0,05 ... 0,4 mm
linearity error	$\pm 0,18 \dots \pm 1,2$ mm
light source	pulsed red laser diode
wave length	650 nm
laser class	2
beam type	line
beam width	2 mm
beam height	4 ... 9 mm
alarm indicator	LED red
temperature drift	< 0,04 % Sde/K

electrical data

response time / release time	< 0,9 ms
voltage supply range +Vs	12 ... 28 VDC
current consumption max. (no load)	80 mA
output circuit	RS 485
baud rate	38400, adjustable
short circuit protection	yes
reverse polarity protection	yes, Vs to GND

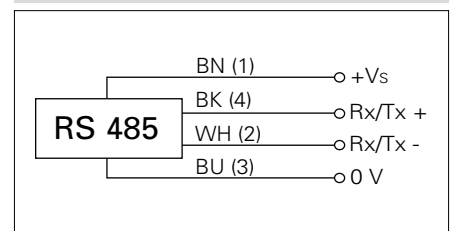
mechanical data

width / diameter	13,4 mm
height / length	48,2 mm
depth	40 mm
type	rectangular
housing material	aluminum
front (optics)	glass
connection types	connector M8 4 pin

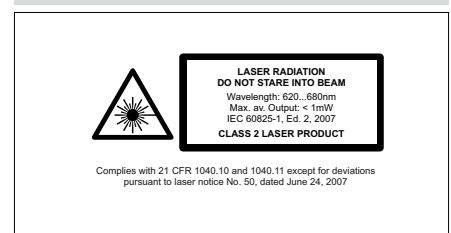
photo



connection diagram



laser warning



- Bei Objekten mit einer Reflektivität < 10 % erhöht sich die Ansprechzeit-/Abfallzeit auf max. 3 ms

Distance sensors**OADM 13S6575/S35A****ambient conditions**

ambient light immunity	< 30 kLux
operating temperature	0 ... +50 °C
protection class	IP 67