

Preset counters electronic

1 or 2 presets, impulses 12-260 VAC/VDC

Display LCD, 6-digits, programmable

NE131



NE131 - LCD Preset counter

Features

- Preset counter with one or two presets
- Totalizer additional
- Display 6-digits
- Operating mode, scaling factor programmable
- Connection: Voltage pulses 12...260 VAC/VDC
- Parallel display of current value, preset and output circuit status
- Keylock input for keypad
- Programmable as a time counter

Technical data - electrical ratings

| | |
|----------------------------|--|
| Voltage supply | 85...265 VAC (50/60 Hz) 10...30 VAC (50/60 Hz) 10...30 VDC |
| Power consumption | 1.5 VA, 2 W |
| Display | LCD, 7-segment display, 2-lines, backlit |
| Number of digits | 6-digits |
| Digit height | 7 mm (position value) 4 mm (preset) |
| Function | Preset counter |
| Scaling factor | 0.0001...9999.99 |
| Count mode | Adding or subtracting |
| Counting frequency | 25 Hz (DC trigger: 1 kHz) |
| Presets | 1 preset, 2 presets |
| Data memory | >10 years in EEPROM |
| Reset | Button, electric or automatic |
| Keylock | Yes, electric (keylock) |
| Outputs relay | Change-over contact, floating |
| Output holding time | 0.01...99.99 s |
| Standard DIN EN 61010-1 | Protection class II Overvoltage category II Pollution degree 2 |
| Emitted interference | DIN EN 61000-6-3 |
| Interference immunity | DIN EN 61000-6-2 |
| Programmable parameters | Measuring units, sensor logic Decimal point Scaling factor Count mode |
| Approval | UL approval / E63076 |

Technical data - mechanical design

| | |
|-------------------------|--|
| Ambient temperature | 0...+50 °C |
| Storing temperature | -20...+70 °C |
| Relative humidity | 80 % non-condensing |
| Connection | Plug-in screw terminal connector |
| Core cross-section | 1.5 mm ² |
| Protection DIN EN 60529 | IP 65 (face with seal) |
| Operation / keypad | Membrane with softkeys |
| Housing type | Built-in housing |
| Dimensions W x H x L | 48 x 48 x 108 mm |
| Installation depth | 108 mm |
| Mounting | Clip frame for built-in housing |
| Cutout dimensions | 45 x 45 mm (+0.6) |
| Weight approx. | 140 g |
| Materials | Housing: Makrolon 6485 (PC) Keypad: Polyester |

Preset counters electronic

1 or 2 presets, impulses 12-260 VAC/VDC

Display LCD, 6-digits, programmable

NE131

Part number

NE131.0 **AX01**

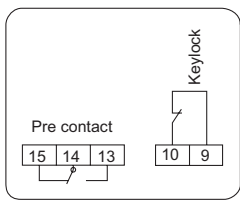
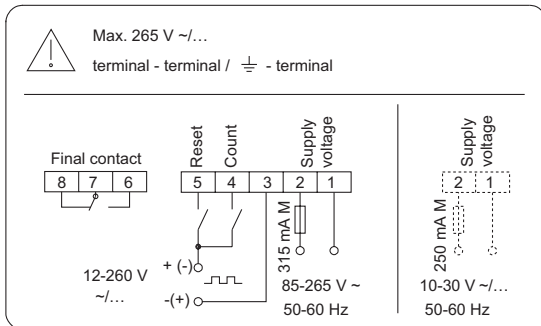
- Voltage supply
- 2 85...265 VAC
 - 3 10...30 VAC/VDC
- Preset
- 1 With one preset
 - 2 With two presets

Accessories

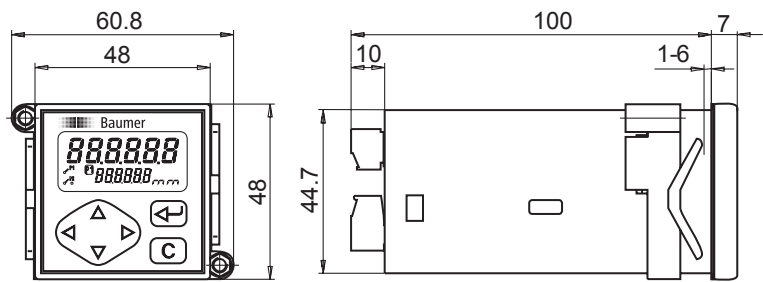
Adaptor plates

- Z 118.033 Adaptor plate for screw mount, face 60 x 75 mm
- Z 118.034 Adaptor plate for clip mount, face 53.2 x 53.2 mm
- Z 118.035 Adaptor plate for clip mount, face 60 x 75 mm

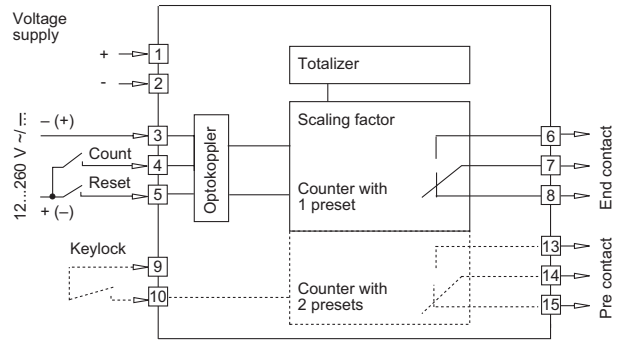
Connection diagram



Dimensions



Block circuit diagram



Trigger level

| Optocoupler inputs | Input circuit |
|--------------------|--------------------|
| Input level Low | 0...2 VAC / VDC |
| Input level High | 12...260 VAC / VDC |

| Relay outputs | Output circuit |
|-------------------------|-------------------|
| Switching voltage max. | 250 VAC / 110 VDC |
| Switching current max. | 1 A |
| Switching capacity max. | 150 VA / 30 W |
| Relay responding time | 5 ms |