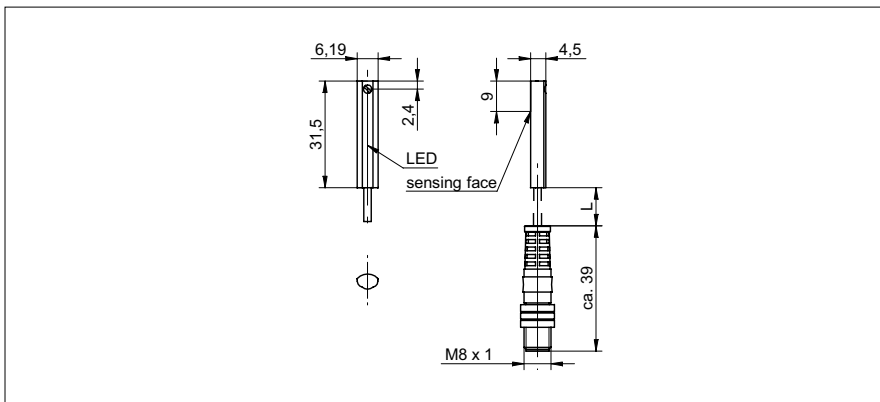


Magnetic cylinder sensors

MZTK 06N1013/KS35D

dimension drawing



general data

| | |
|-------------------------|-------------------|
| type | magneto-resistive |
| version | T-slots |
| nominal operation point | 4 mT |
| difference ON-OFF | 0,5 ... 1,5 mT |
| output indicator | LED yellow |

electrical data

| | |
|------------------------------------|--------------------|
| switching frequency | < 200 kHz |
| response time / release time | < 0,0025 ms |
| output circuit | NPN |
| current consumption max. (no load) | 12 mA |
| output current | < 200 mA |
| voltage supply range +Vs | 5 ... 30 VDC |
| output function | normally open (NO) |
| voltage drop Vd | < 1 VDC |
| reverse polarity protection | yes |
| short circuit protection | yes |

mechanical data

| | |
|------------------|------------------------------------|
| cable output | axial |
| connection types | flylead connector PUR M8, L=300 mm |
| type | rectangular |
| depth | 31,5 mm |
| width / diameter | 6,2 mm |
| height / length | 4,5 mm |
| housing material | PA66 |

ambient conditions

| | |
|-----------------------|----------------|
| operating temperature | -10 ... +70 °C |
| protection class | IP 67 |

photo



connection diagram



- Oil- and salt water climate resistant