

Features

- Low Cost
- Rugged Housings
- Low Noise
- High Sensitivity

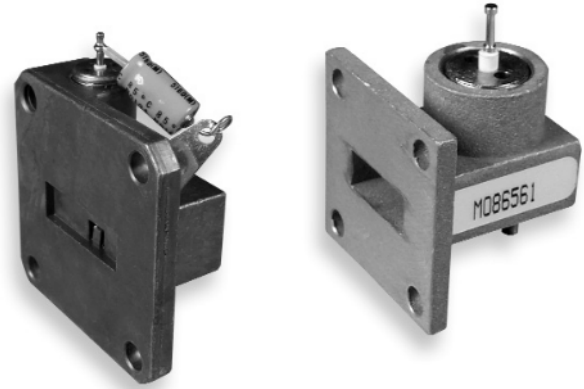
Applications

- Moisture Measurement
- Microwave Counters
- Liquid Level Indicators
- Flow/No Flow Sensors
- Microwave Perimeter Protection

Specifications @ 25 °C

Part Number	Center Frequency (GHz)	Minimum Detectable Signal (dBm) ¹	RF Bandwidth (MHz)
<i>X Band Detector, Waveguide Mount</i>			
MO86571	10.525	-45	300
<i>K Band Detector, Waveguide Mount</i>			
MO86561	24.150	-45	300

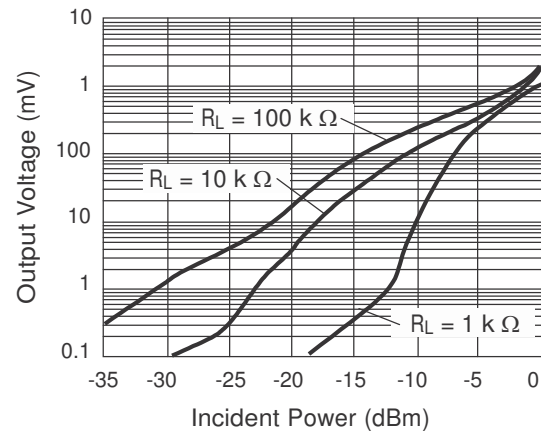
1. Video amplifier: 1 MHz bandwidth, 2 dB noise figure, 100 K Ω input resistance.
 Other frequencies and power levels available upon request.
 Operating temperature is -30°C to +70°C.
 Storage temperature is -40°C to +85°C.



Description

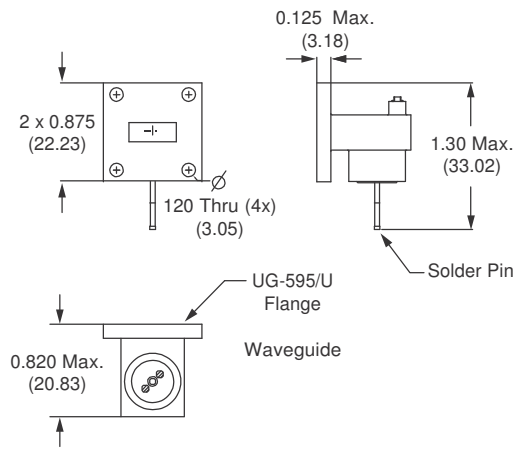
Microsemi's MO86561 and MO86571 waveguide detectors consist of selected Schottky barrier diodes assembled in a rugged housing suitable for use in industrial applications as a RF detector.

Typical Performance Characteristics

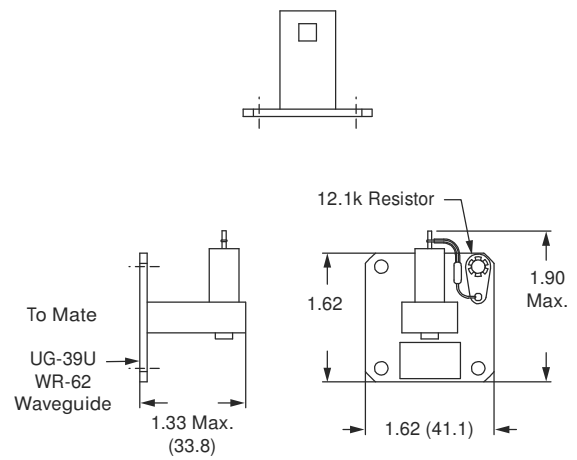


MO86561

Frequency = 24.125 GHz.
 $I_F = 0 \mu A$.

MO86561


Dimensions are in inches (mm).

MO86571


Dimensions are in inches (mm).