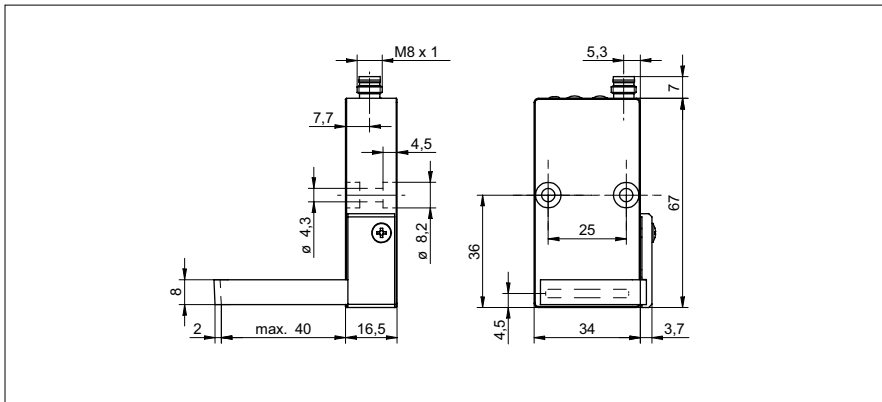


Line sensors

ZADM 034P240.6901

dimension drawing



general data

type	switchable
measuring field size	24 mm
measuring distance (to object)	0 ... 40 mm
measuring frequency	> 4000 Hz
resolution	< 0,1 mm
smallest object recognizable	0,5 mm
hysteresis	0,4 mm
power on indication	LED green
light source	pulsed infrared diode
wave length	880 nm
adjustment	Teach-in

electrical data

response time	< 0,25 ms
output pulse length	10 ms
voltage supply range +Vs	12 ... 28 VDC
current consumption max. (no load)	120 mA
output circuit	PNP
output function	light / dark operate
output current	< 100 mA
voltage drop Vd	< 2,2 VDC
reverse polarity protection	yes, Vs to GND
short circuit protection	yes

mechanical data

width / diameter	34 mm
type	rectangular, side view
housing material	aluminum
front (optics)	glass
connection types	connector M8 4 pin

ambient conditions

operating temperature	0 ... +55 °C
protection class	IP 67

photo



connection diagram

