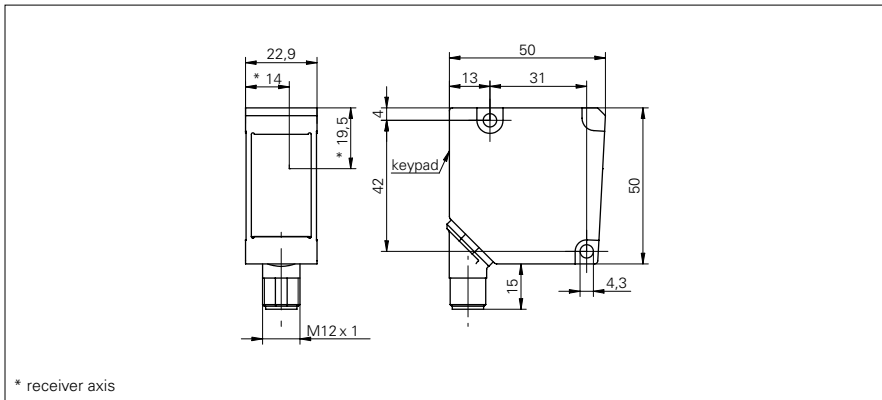


## Line sensors

ZADM 023H871.0001

## dimension drawing



## general data

type	measuring mode: edges, center, width
version	without filter for transparent objects
measuring field size (dep. on measuring dist.)	400 ... 875 mm
measuring distance (to object)	640 ... 1400 mm
measuring frequency	> 500 Hz
resolution	0,5 ... 1 mm
smallest object recognizable	8,5 ... 18 mm
linearity error relative	< 0,3 %
light source	pulsed infrared diode
wave length	880 nm
adjustment	Teach-in

## electrical data

response time	< 2 ms
voltage supply range +Vs	15 ... 28 VDC
current consumption max. (no load)	150 mA
output signal	4 ... 20 mA
switching output	PNP
output function	Out 1 / Alarm
output current	< 100 mA
interface	analog and RS 485
baud rate	19200, adjustable
reverse polarity protection	yes, Vs to GND
short circuit protection	yes

## mechanical data

width / diameter	23 mm
type	rectangular
housing material	die-cast zinc
front (optics)	glass
connection types	connector M12 8 pin, rotatable

## ambient conditions

operating temperature	0 ... +55 °C
protection class	IP 67

## photo



## connection diagram

