

6 Lake Street, Lawrence, MA 01844
 1-800-446-1158 / (978) 794-1666 / Fax: (978) 689-0803
 Website: <http://www.microsemi.com>

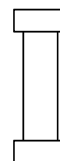
SWITCHING DIODE

- METALLURGICALLY BONDED
- HERMETICALLY SEALED
- DOUBLE PLUG CONSTRUCTION

Qualified per MIL-PRF-19500/241

DEVICES
1N3595AUR-1
LL3595A
MLL3595A
LEVELS
**JAN
 JANTX
 JANTXV**
MAXIMUM RATING AT 25°C

Operating Temperature:	-65°C to +175°C
Storage Temperature:	-65°C to +175°C
Surge Current A, sine 1S:	500mA
Surge Current A, sine 1μS:	4A
Total Power Dissipation:	500mW
Operating Current:	150mA, T _A = +25°C
D.C. Reverse Voltage (VRWM):	125V

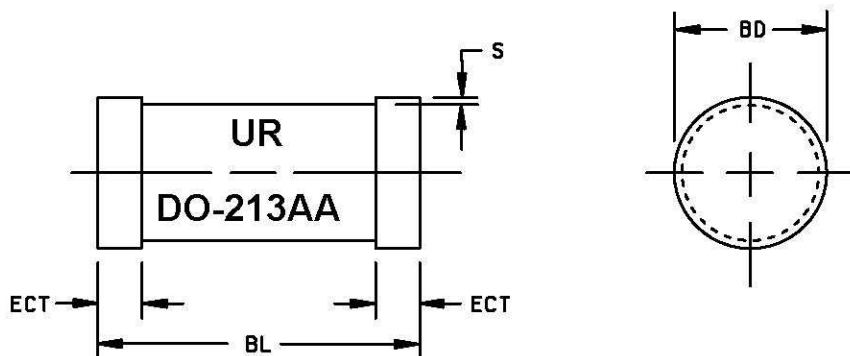

DC ELECTRICAL CHARACTERISTICS

V _F				I _R				V _{BR}			
Ambient (°C)	I _F mA	Min V	Max V	Ambient (°C)	V _R V (dc)	Min μA	Max μA	Ambient (°C)	I _R μA	Min V	Max V
25	1	0.52	0.70	25	125	-	0.002	-55	100	150	-
25	5	0.60	0.765	150	125	-	3				
25	10	0.65	0.80								
25	50	0.74	0.88								
25	100	0.79	0.92								
25	200	0.83	1.00								

DO-213AA
AC ELECTRICAL CHARACTERISTICS AT 25°C

	Min	Max	Unit
Capacitance @ 0V	-	8.0	pF
T _{RR} @ I _F = 10mA V _R = 35V	-	3.0	μsec

▶ **PACKAGE DIMENSIONS**



NOTE:

1. Dimensions are in inches.
2. Millimeters are given for general information only.
3. Dimensions are pre-solder dip.
4. Referencing to dimension S, minimum clearance of glass body to mounting surface on all orientations.
5. In accordance with ASME Y14.5M, diameters are equivalent to ϕ x symbology.

Ltr	Dimensions				Notes
	Inches		Millimeters		
	Min	Max	Min	Max	
BD	.063	.067	1.60	1.70	
BL	.130	.146	3.30	3.70	
ECT	.016	.022	0.41	0.55	
S	.001 Min		0.03 Min		

DESIGN DATA

Case: Hermetically sealed glass package per MIL-PRF-19500/241 DO-213AA outline

Lead Material: Copper clad steel

Lead Finish: Tin / Lead

Thermal Impedance ($Z_{\theta JX}$): 70°C/W maximum

Polarity: Cathode end is banded

FIGURE 1. Physical dimensions - 1N3595UR-1, 1N3595AUR-1 (DO-213AA)