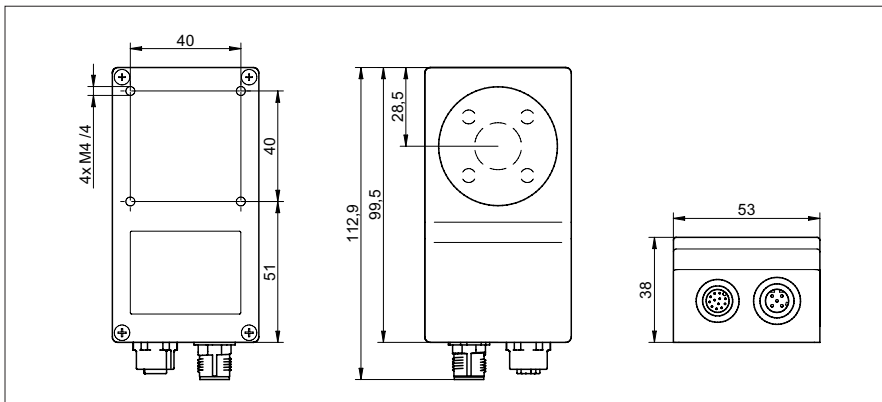


**VeriSens® XF-200**

**VS XF200M03W10EP**

Article no.: 11039656

**Dimension drawing**



**General data**

Resolution	752 × 480 pixels
LED illumination	White, LED class: risk group 1 (low risk, EN 62471:2008)
Speed	
High Resolution Mode:	Max. 50 inspections per second
High Speed Mode:	Max. 100 inspections per second
Lens	10 mm
Min. object distance	50 mm
Number of jobs (products)	Up to 255
Features per job	32
Fault image memory	32
Signal processing	Baumer <i>FEX</i> ® 4.0

**Electrical data**

Power supply	=== +18 ... 30 VDC
Power consumption	Typical 5 W (I <sub>max</sub> = 1 A at 24 V)
Inputs	8 ... 30 VDC
Outputs	PNP 100 mA
Digital input	Trigger, Job selection, external Teach-in, Encoder (CH-A, CH-B) 500 kHz
Digital output	Pass / Fail 1-5, Flash Sync, Alarm, Camera Ready, Output Enable

**Communication**

Setup	Ethernet (10 Base-T / 100 Base-TX)
Process interface	Ethernet (TCP/IP)
Visualization	Web interface

**Mechanical data**

Width × Height × Depth	53 mm × 99.5 mm × 38 mm
Material	Housing: Aluminum, Cover glass: PMMA
Weight	250 g

**Operating conditions**

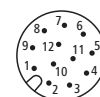
Operating temperature	+5 ... 50 °C
Humidity	0 ... 90 % (non-condensing)
Protection class	IP 67
Vibration load	IEC 60068-2-6, IEC 60068-2-64
Mechanical shock resistance	EN 60068-2-27

**Photo**



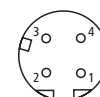
**Connection (on device)**

Electrical connection M12 / 12-pin



1: PWR (18-30 VDC)	7: OUT3
2: Ground	8: IN3
3: IN1 (Trigger)	9: OUT4
4: OUT1	10: IN4
5: IN2	11: IN5
6: OUT2	12: OUT5

Ethernet interface M12 / 4-pin



1: TD+	3: TD-
2: RD+	4: RD-



**VeriSens® XF-200**
**VS XF200M03W10EP**
**Code types**

**Barcode** 2/5 Industrial  
 2/5 Interleaved  
 Codabar  
 Code 39  
 Code 93  
 Code 128  
 PharmaCode  
 EAN 8, EAN 13:  
     Base code + variants Add-On 2, Add-On 5  
 UPC-A, UPC-E:  
     Base code + variants Add-On 2, Add-On 5  
 GS1 DataBar (RSS):  
     Limited, Expanded, Expanded Stacked  
 GS1 DataBar (RSS-14):  
     Base code + variants Truncated, Stacked, Stacked Omnidir  
 GS1 128

Quality evaluation according to ISO / IEC 15416

**Matrix code** DataMatrix (ECC 200)  
 GS1-DataMatrix  
 QR  
 PDF417

Quality evaluation according to ISO / IEC 15415 or AIM DPM-1-2006

**Font** Any font style (recommended: sans serif, proportional), Dot Matrix  
 Characters: A-Z a-z 0-9 + - . : / ( )

**Further features**

- User management
- Password protection
- Backup & Restore function
- Coordinate transformation
- Flexible result linking

**Feature checks**

Part location	Geometry	Feature comparison	Identification
Part location on contours	Distance	Count contour points	Barcode
Part location on edges	Circle	Contour comparison	Matrix code
Part location on circle	Angle	Brightness	Text
Part location on text line	Count edges	Contrast	
	Point position	Area size	
		Count areas	
		Pattern matching	