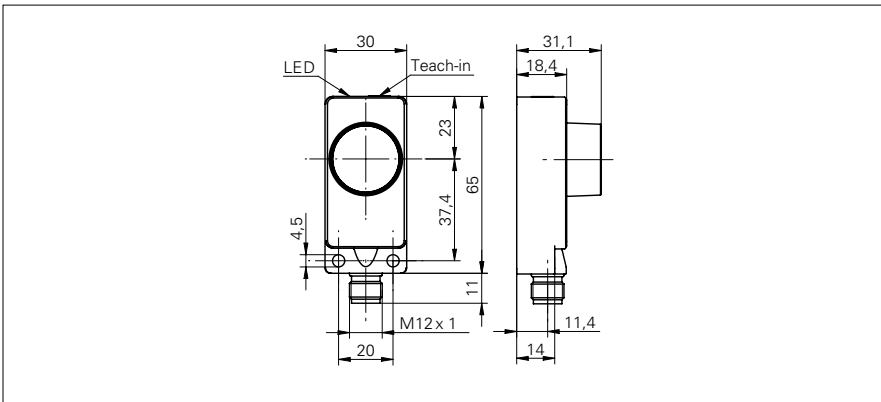


## Ultrasonic proximity sensors

## UZDK 30P6104/S14

## dimension drawing



## general data

special type	2 point proximity switch
scanning range sd	200 ... 2000 mm
scanning range far limit Sde	200 ... 2000 mm
hysteresis typ.	4 % Sde
repeat accuracy	< 1 mm
temperature drift	< 2 % Sde
adjustment	Teach-in
response time ton	< 80 ms
release time toff	< 80 ms
alignment aid	target indication flashing
sonic frequency	200 kHz
output indicator	green / yellow LED

## electrical data

voltage supply range +Vs	12 ... 30 VDC
current consumption max. (no load)	40 mA
output circuit	PNP make function (NO)
output current	< 200 mA
voltage drop Vd	< 2 VDC
residual ripple	< 10 % Vs
short circuit protection	yes
reverse polarity protection	yes

## mechanical data

type	rectangular
housing material	polyester / die-cast zinc
width / diameter	30 mm
height / length	65 mm
depth	31 mm
connection types	connector M12

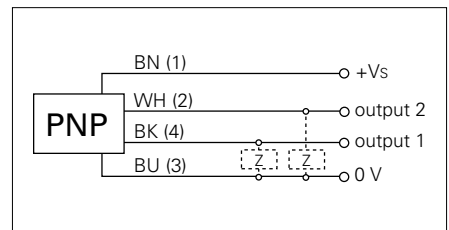
## ambient conditions

operating temperature	-10 ... +60 °C
protection class	IP 67

## photo



## connection diagram



- Two separate outputs