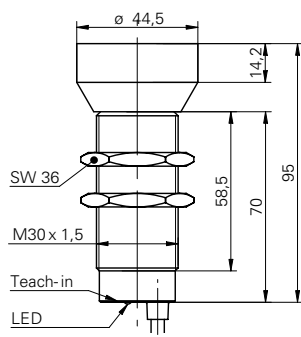


## Ultrasonic proximity sensors

## UZAM 50N6121

## dimension drawing



## general data

special type	2 point proximity switch
scanning range sd	350 ... 2500 mm
scanning range far limit Sde	350 ... 2500 mm
hysteresis typ.	4 % Sde
repeat accuracy	< 1 mm
temperature drift	< 2 % Sde
adjustment	Teach-in
response time ton	< 160 ms
release time toff	< 160 ms
alignment aid	target indication flashing
sonic frequency	120 kHz
output indicator	green / yellow LED

## electrical data

voltage supply range +Vs	12 ... 30 VDC
current consumption max. (no load)	40 mA
output circuit	NPN make function (NO)
output current	< 200 mA
voltage drop Vd	< 2 VDC
residual ripple	< 10 % Vs
short circuit protection	yes
reverse polarity protection	yes

## mechanical data

type	cylindrical threaded
housing material	brass nickel plated
width / diameter	30 mm
height / length	95 mm
connection types	cable, 2 m

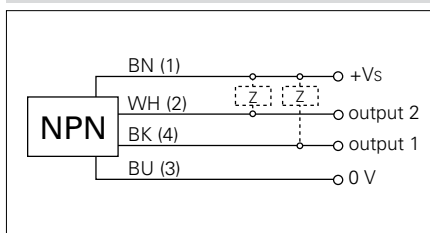
## ambient conditions

operating temperature	-10 ... +60 °C
protection class	IP 67

## photo



## connection diagram



- Two separate outputs
- long sensing distance