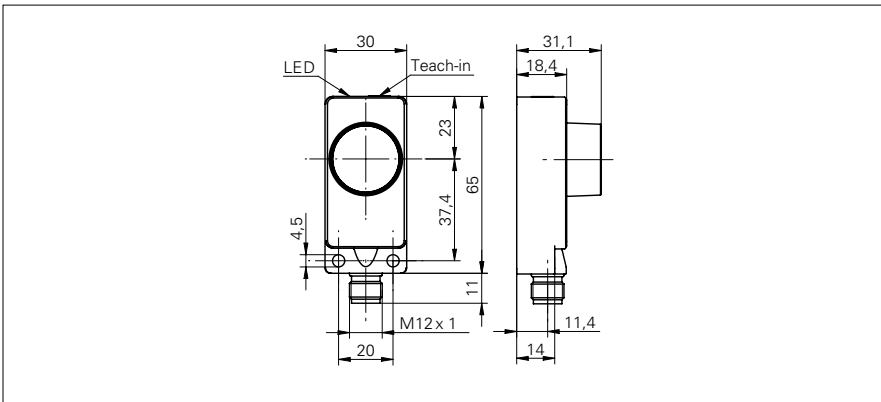


## Ultrasonic retro-reflective sensors

## URDK 30P7104/S14

## dimension drawing



## general data

scanning range $s_d$	0 ... 2000 mm
reflector position $S_{de}$	400 ... 2000 mm
adjusting range reflector (operating range)	$\pm 4\%$ $S_{de}$
adjusting range reflector (limit range)	$\pm 6\%$ $S_{de}$
repeat accuracy	< 3 mm
alignment aid	target indication flashing
adjustment	Teach-in
temperature drift	< 2 % $S_{de}$
response time $t_{on}$	< 80 ms
release time $t_{off}$	< 80 ms
sonic frequency	200 kHz
output indicator	LED green

## electrical data

voltage supply range $+V_s$	12 ... 30 VDC
current consumption max. (no load)	35 mA
output circuit	PNP break function (NC)
output current	< 200 mA
voltage drop $V_d$	< 2 VDC
residual ripple	< 10 % $V_s$
short circuit protection	yes
reverse polarity protection	yes

## mechanical data

type	rectangular
housing material	polyester / die-cast zinc
width / diameter	30 mm
height / length	65 mm
depth	31 mm
connection types	connector M12

## ambient conditions

operating temperature	-10 ... +60 °C
protection class	IP 67

## photo



## connection diagram



- detects sound absorbing objects
- no blind spot area for objects > 30 mm