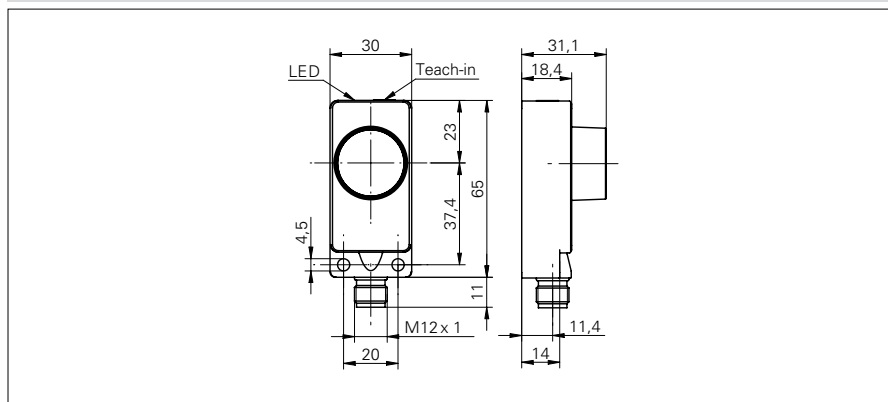


Ultrasonic retro-reflective sensors

URDK 30P6104/S14

dimension drawing



general data

scanning range s_d	0 ... 2000 mm
reflector position S_{de}	400 ... 2000 mm
adjusting range reflector (operating range)	$\pm 4\%$ S_{de}
adjusting range reflector (limit range)	$\pm 6\%$ S_{de}
repeat accuracy	< 3 mm
alignment aid	target indication flashing
adjustment	Teach-in
temperature drift	< 2 % S_{de}
response time t_{on}	< 80 ms
release time t_{off}	< 80 ms
sonic frequency	200 kHz
output indicator	LED green

electrical data

voltage supply range $+V_s$	12 ... 30 VDC
current consumption max. (no load)	35 mA
output circuit	PNP make function (NO)
output current	< 200 mA
voltage drop V_d	< 2 VDC
residual ripple	< 10 % V_s
short circuit protection	yes
reverse polarity protection	yes

mechanical data

type	rectangular
housing material	polyester / die-cast zinc
width / diameter	30 mm
height / length	65 mm
depth	31 mm
connection types	connector M12

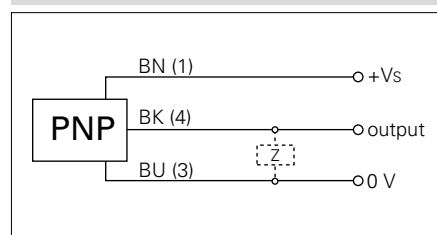
ambient conditions

operating temperature	-10 ... +60 °C
protection class	IP 67

photo



connection diagram



- detects sound absorbing objects
- no blind spot area for objects > 30 mm