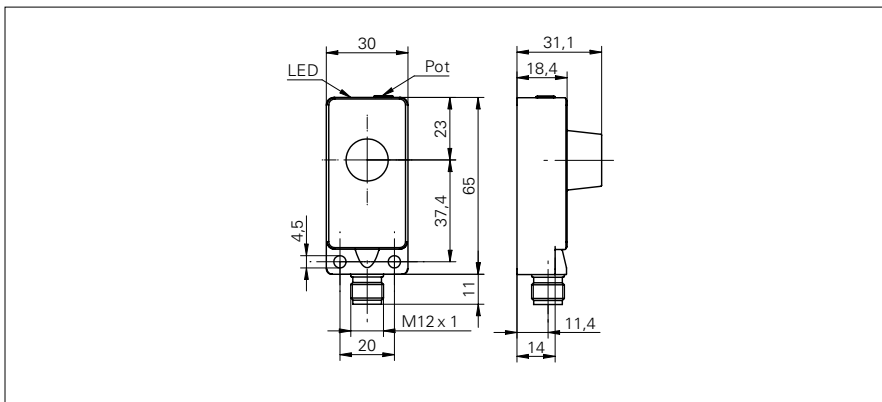


## Ultrasonic retro-reflective sensors

## URDK 30P3703/S14

## dimension drawing



## general data

scanning range sd	0 ... 1000 mm
reflector position Sde	200 ... 1000 mm
adjusting range reflector (operating range)	± 2,5 % Sde
adjusting range reflector (limit range)	± 5 % Sde
repeat accuracy	< 3 mm
alignment aid	target indication flashing
adjustment	potentiometer
temperature drift	< 2 % Sde
synchronization	yes
multiplex version	on request
response time ton (sync on)	< 50 ms
release time toff (sync on)	< 50 ms
sonic frequency	240 kHz
output indicator	LED green

## electrical data

voltage supply range +Vs	12 ... 30 VDC
current consumption max. (no load)	35 mA
output circuit	PNP break function (NC)
output current	< 200 mA
voltage drop Vd	< 2 VDC
residual ripple	< 10 % Vs
short circuit protection	yes
reverse polarity protection	yes

## mechanical data

type	rectangular
housing material	polyester / die-cast zinc
width / diameter	30 mm
height / length	65 mm
depth	31 mm
connection types	connector M12

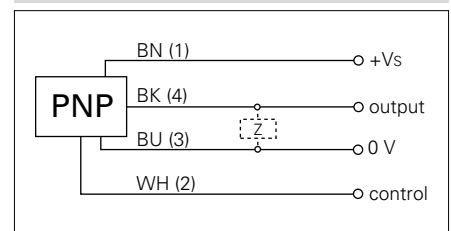
## ambient conditions

operating temperature	-10 ... +60 °C
protection class	IP 67

## photo



## connection diagram



- detects sound absorbing objects
- no blind spot area for objects > 30 mm