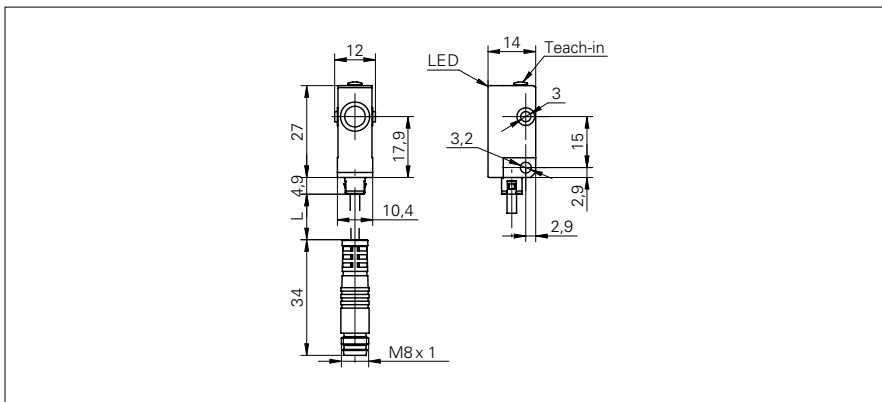


Ultrasonic retro-reflective sensors

URDK 10P8914/KS35A

dimension drawing



general data

scanning range s_d	0 ... 200 mm
reflector position S_{de}	40 ... 200 mm
adjusting range reflector (operating range)	$\pm 2,5 \% S_{de}$
adjusting range reflector (limit range)	$\pm 5 \% S_{de}$
repeat accuracy	< 1,5 mm
alignment aid	target indication flashing
adjustment	Teach-in
temperature drift	< 2 % S_{de}
response time t_{on}	< 15 ms
release time t_{off}	< 15 ms
sonic frequency	380 kHz
output indicator	LED green

electrical data

voltage supply range $+V_s$	12 ... 30 VDC
current consumption max. (no load)	30 mA
output circuit	PNP make function (NO) / break function (NC)
output current	< 200 mA
voltage drop V_d	< 2 VDC
residual ripple	< 10 % V_s
short circuit protection	yes
reverse polarity protection	yes

mechanical data

type	rectangular
housing material	plastic (ASA)
width / diameter	10,4 mm
height / length	27 mm
depth	14 mm
connection types	flylead connector M8, L=200 mm

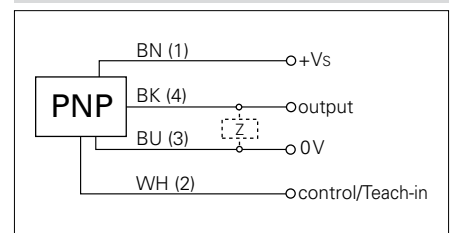
ambient conditions

operating temperature	-10 ... +60 °C
protection class	IP 67

photo



connection diagram



- make function/break function, programmable