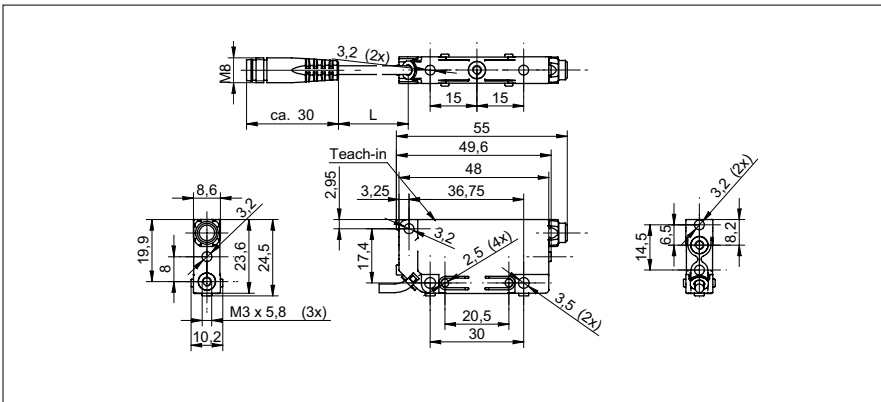


Ultrasonic retro-reflective sensors

URCK 09G8914/KS35A

dimension drawing



general data

scanning range sd	0 ... 200 mm
reflector position Sde	60 ... 200 mm
adjusting range reflector (operating range)	± 2,5 % Sde
adjusting range reflector (limit range)	± 5 % Sde
repeat accuracy	< 1,5 mm
alignment aid	target indication flashing
adjustment	Teach-in
temperature drift	< 2 % Sde
response time ton	< 7 ms
release time toff	< 7 ms
sonic frequency	380 kHz
output indicator	green LED / red LED

electrical data

voltage supply range +Vs	12 ... 30 VDC
current consumption max. (no load)	35 mA
output circuit	push-pull
output current	< 100 mA
voltage drop Vd	< 2 VDC
residual ripple	< 10 % Vs
short circuit protection	yes
reverse polarity protection	yes

mechanical data

type	rectangular
housing material	PA 12
width / diameter	8,6 mm
height / length	55 mm
depth	24,5 mm
connection types	flylead connector M8, L=200 mm

ambient conditions

operating temperature	0 ... +60 °C
protection class	IP 67

photo



connection diagram

