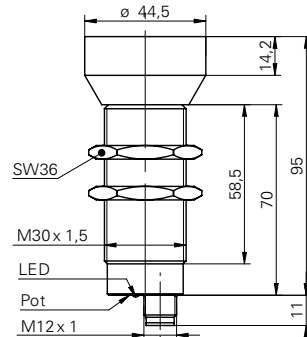


Ultrasonic retro-reflective sensors

URAM 50N1721/S14

dimension drawing



general data

| | |
|---|----------------------------|
| scanning range sd | 0 ... 3000 mm |
| reflector position Sde | 600 ... 3000 mm |
| adjusting range reflector (operating range) | ± 4 % Sde |
| adjusting range reflector (limit range) | ± 6 % Sde |
| repeat accuracy | < 3 mm |
| alignment aid | target indication flashing |
| adjustment | potentiometer |
| temperature drift | < 0,18 % Sde/K |
| synchronization | yes |
| multiplex version | on request |
| response time ton | < 160 ms |
| release time toff | < 160 ms |
| sonic frequency | 120 kHz |
| output indicator | LED green |

electrical data

| | |
|------------------------------------|------------------------|
| voltage supply range +Vs | 12 ... 30 VDC |
| current consumption max. (no load) | 35 mA |
| output circuit | NPN make function (NO) |
| output current | < 200 mA |
| voltage drop Vd | < 2 VDC |
| residual ripple | < 10 % Vs |
| short circuit protection | yes |
| reverse polarity protection | yes |

mechanical data

| | |
|------------------|----------------------|
| type | cylindrical threaded |
| housing material | brass nickel plated |
| width / diameter | 30 mm |
| height / length | 95 mm |
| connection types | connector M12 |

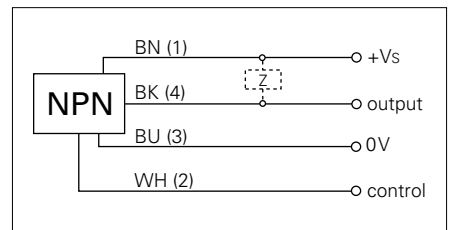
ambient conditions

| | |
|-----------------------|----------------|
| operating temperature | -10 ... +60 °C |
| protection class | IP 67 |

photo



connection diagram



- long sensing distance
- no blind spot area for objects > 100 mm