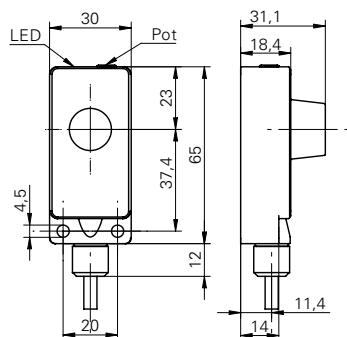


## Ultrasonic distance measuring sensors

### UNDK 30U9103

#### dimension drawing



#### general data

scanning range sd	100 ... 1000 mm
scanning range far limit Sde	100 ... 1000 mm
repeat accuracy	< 0,5 mm
resolution	< 0,3 mm
adjustment	potentiometer
sonic frequency	240 kHz
response time ton	< 80 ms
release time toff	< 80 ms
alignment aid	target indication flashing
light indicator	LED green
temperature drift	< 2 % of distance to target So

#### electrical data

voltage supply range +Vs	15 ... 30 VDC
current consumption max. (no load)	35 mA
output circuit	voltage output
output signal	0 ... 10 VDC
output current	< 20 mA
residual ripple	< 10 % Vs
short circuit protection	yes
reverse polarity protection	yes

#### mechanical data

type	rectangular
housing material	polyester / die-cast zinc
width / diameter	30 mm
height / length	65 mm
depth	31 mm
connection types	cable, 2 m

#### ambient conditions

operating temperature	-10 ... +60 °C
protection class	IP 67

#### photo



#### connection diagram

