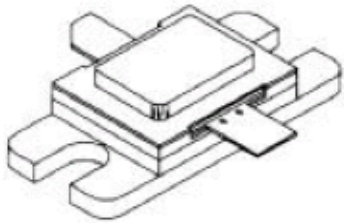




# MS2473

600 Watts, 50 Volts, Pulsed  
Avionics 1090 MHz

<p><b>GENERAL DESCRIPTION</b></p> <p>The MS2473 is a high power COMMON BASE bipolar transistor. It is designed for pulsed systems in the 1090MHz frequency band. The device has gold thin-film metallization for proven highest MTTF. Low thermal resistance packaging reduces the junction temperature and extends device lifetime.</p>	<p style="text-align: center;"><b>CASE OUTLINE M112</b></p>  <p style="text-align: center;"><b>.400 x .500 2LFL (M112)</b> hermetically sealed</p>
<p><b>ABSOLUTE MAXIMUM RATINGS</b></p> <p>Maximum Power Dissipation @ 25°C<sup>2</sup> 2300 Watts</p> <p><b>Maximum Voltage and Current</b></p> <p>BVcbo Collector to Base Voltage 65 Volts          BVebo Emitter to Base Voltage 3.5 Volts          Ic Collector Current 46 Amps</p> <p><b>Maximum Temperatures</b></p> <p>Storage Temperature - 65 to + 150°C          Operating Junction Temperature + 200°C</p>	

## ELECTRICAL CHARACTERISTICS @ 25 °C

SYMBOL	CHARACTERISTICS	TEST CONDITIONS	MIN	TYP	MAX	UNITS
<b>P<sub>out</sub></b>	Power Out	F = 1090 MHz	600			Watts
<b>P<sub>in</sub></b>	Power Input = 150W	V <sub>cc</sub> = 50 Volts		150		Watts
<b>P<sub>g</sub></b>	Power Gain	PW = 10 μsec	6.0			dB
<b>η<sub>c</sub></b>	Collector Efficiency	DF = 1%	35			%
<b>RL<sub>IN</sub></b>	Input Return Loss	F = 1090 MHz	10			dB

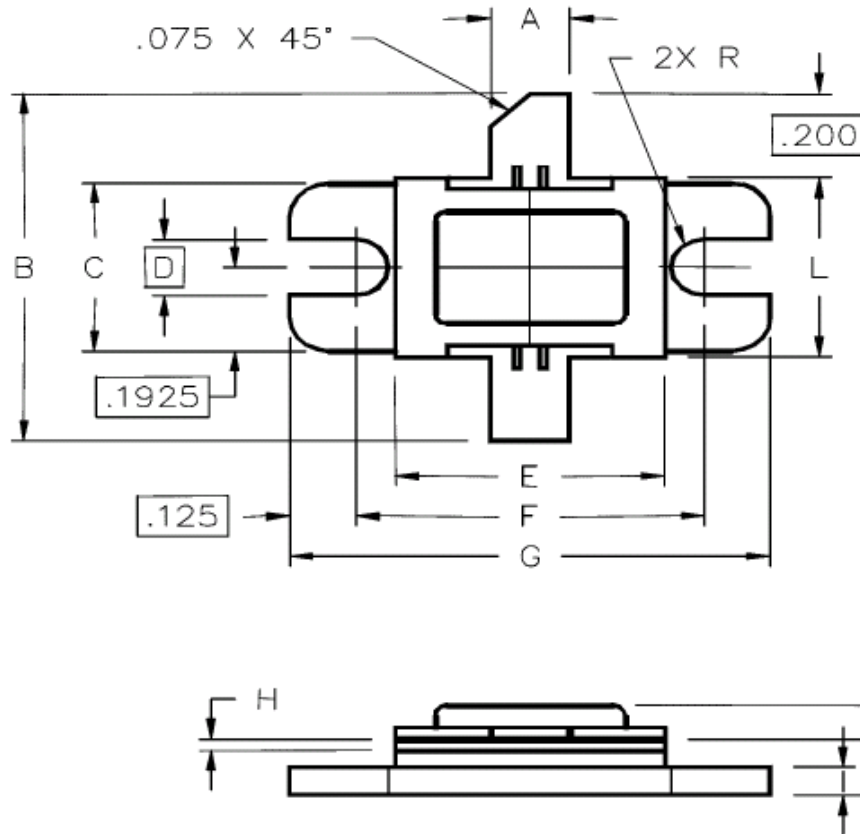
<b>BVebo</b>	Emitter to Base Breakdown	I <sub>e</sub> = 10 mA	3.5			Volts
<b>BVcbo</b>	Collector to Base Breakdown	I <sub>c</sub> = 25 mA	65			Volts
<b>I<sub>ces</sub></b>	Collector to Emitter Leakage	V <sub>ce</sub> = 50V			35	mA
<b>h<sub>FE</sub></b>	DC - Current Gain	V <sub>ce</sub> = 5V, I <sub>c</sub> = 1A	5		200	
<b>Θ<sub>jc</sub><sup>2</sup></b>	Thermal Resistance			0.06		C/W

Note 1: At rated output power and pulse conditions

2: At rated pulse conditions

Initial , January 2007

Microsemi – PPG reserves the right to change, without notice, the specifications and information contained herein. Visit our web site at [www.microsemi.com](http://www.microsemi.com) or contact our factory direct.

**PACKAGE STYLE M112**


	MINIMUM INCHES/MM	MAXIMUM INCHES/MM		MINIMUM INCHES/MM	MAXIMUM INCHES/MM
A	.145/3,68	.155/3,93	I	.055/1,40	.065/1,65
B	.750/19,05		J	.115/2,92	.135/3,43
C	.380/9,65	.390/9,91	K		.230/5,64
D	.130/3,30		L	.395/10,03	.410/10,41
E	.495/12,57	.505/12,83			
F	.640/16,26	.655/16,64			
G	.890/22,61	.910/23,11			
H	.002/0,05	.006/0,15			

Microsemi – PPG reserves the right to change, without notice, the specifications and information contained herein. Visit our web site at [www.microsemi.com](http://www.microsemi.com) or contact our factory direct.