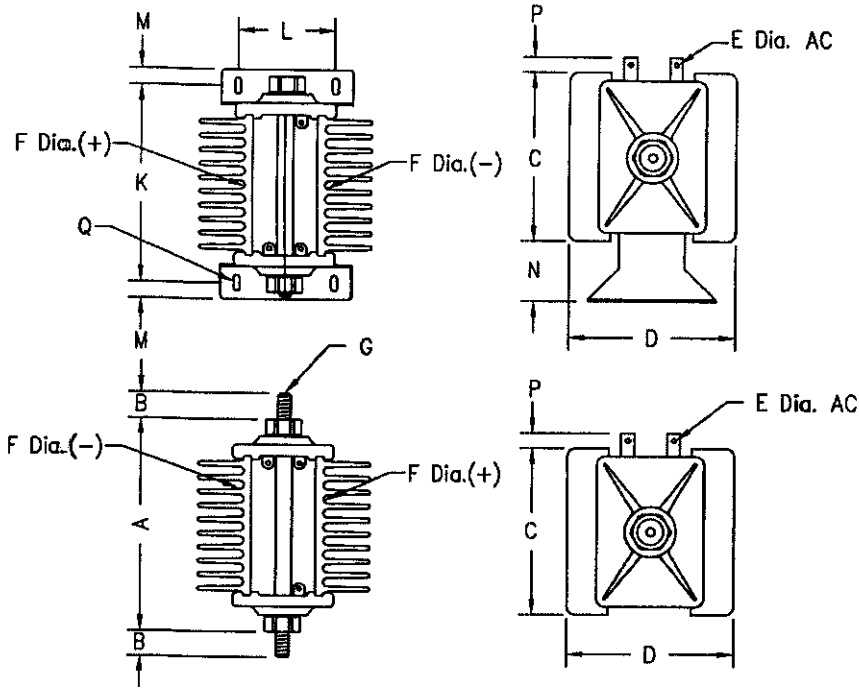


Rectipoint Silicon Power Rectifiers



Dimensions				
X Type		Y Type		
Inches	Millimeters	Inches	Millimeters	
A	4.31	109.4	4.0	101.6
B	.625	15.87	0.5	12.7
C	4.0	101.6	2.5	63.5
D	3.12	79.2	2.56	65.0
E	.201	5.10	1.77	4.495
F	.265	6.731	.198	5.029
G	3/8-16UNC-3A		5/16-18UNC-3A	
K	3.93	15.87	3.75	95.2
L	1.5	101.6	1.25	31.7
M	.281	79.2	.281	7.137
N	.875	5.10	.937	23.79
P	.625	6.731	.625	15.87
Q	3/16x5/16 ---		3/16x5/16 ---	

Microsemi Catalog Number	Type of Circuit Rated Continuous DC Amperes at 40°C. Ambient	
	Natural Convection	Forced Air at 800 LFM
Y21**B1*1	14	26
Y21**Z1*1	22	42
X21**B1*1	22	40
X21**Z1*1	28	55
X34**B1*1	35	68
X34**Z1*1	55	100
X37**B1*1	43	80
X37**Z1*1	65	120

**—PRV specifications from 02=200V to 160=1600V
 *—specify N for Stud or B for bracket mount
 A Surge Suppressor may be specified by adding S at the end of the part number

- Complete bridge with heatsinks — no assembly required
- Available in single or three phase bridge assemblies
- Available with bracket or stud mounting
- Single cycle surge current ratings
 X, Y21 250 Amps
 X34 800 Amps
 X37 1500 Amps
- Blocking voltages to 1600V

