

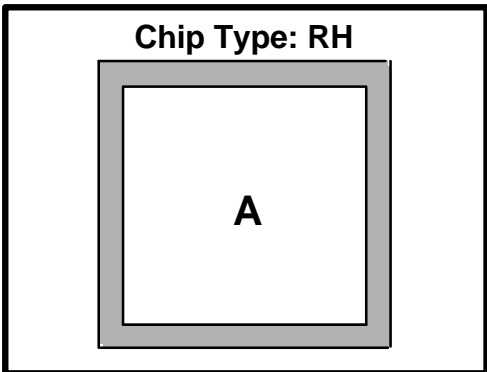
1N5802
1N5804
1N5806
JANHCE and JANKCE
JANHCF and JANKCF

FEATURES:

- Chip Outline Dimensions: 41 x 41 mils
- Chip Thickness: 8 to 12 mils
- Anode Metallization: Aluminum
- Metallization Thickness: 50,000^Å Nominal
- Bonding Area: 23 x 23 mils Min.
- Back Metallization: Gold
- Junction Passivated with Thermal Silicon Dioxide - Planar Design
- Backside Available with Solderable Ag Backside as JANHCF or JANKCF

2.5 AMPS
FAST RECOVERY
RECTIFIER CHIP
50 - 150 VOLTS

TYPE	V _R	V _{BR}	I _O T _j = 75°C
JANHCE1N5802	50V	60V	2.5A
JANHCE1N5804	100V	110V	2.5A
JANHCE1N5806	150V	160V	2.5A
JANKCE1N5802	50V	60V	2.5A
JANKCE1N5804	100V	110V	2.5A
JANKCE1N5806	150V	160V	2.5A



ELECTRICAL CHARACTERISTICS:

CHARACTERISTIC	SYMBOL	TYPICAL	MAX.	UNITS
Reverse Current Rated V _R , T _C = 25°C	I _R	.01	1	μA
Reverse Current Rated V _R , T _C = 100°C	I _R	1.0	50	μA
Forward Voltage Drop I _F = 1A, T _C = 25°C	V _F	.80	.875	Volts
Junction Capacitance @ V _R = 10V	C _j	15	25	Pf

REVERSE RECOVERY CHARACTERISTICS:

CHARACTERISTIC	SYMBOL	TYPICAL	MAX.	UNITS
Reverse Recovery Time I _F = 0.5A, I _R = 0.5A, I _{RR} = 0.05A	T _{rr}	20	25	ns
Forward Recovery Voltage @ 1A T _{rr} = 8ns	V _{rr}	1.5	2.2	V
Forward Recovery Time I _{FM} = 250 mA			15	ns

1N5802
 1N5804
 1N5806
 JANHCE and JANKCE
 JANHCF and JANKCF

GROUP A ELECTRICALS

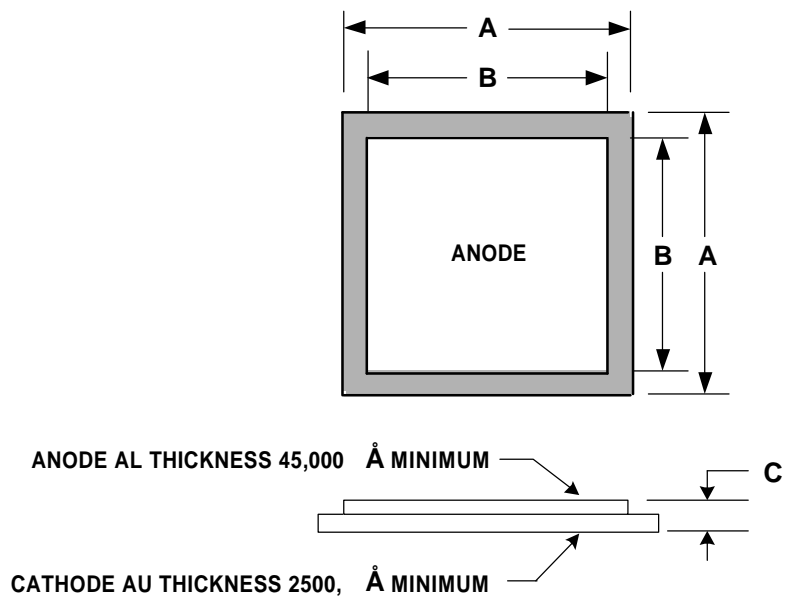
DRAWING NUMBER: MIL-S-19500/477 NUMBER: JANKCE1N5802/5804/5806 D00G1N5802/5804/5806KC

TEST #	SYMBOL	TEST CONDITIONS	MINIMUM	MAXIMUM	UNIT	
1		SUBGROUP A2				
2						
3	V _{FM1}	I _{FM} = 1.0 A		.875	V	
4	V _{FM2}	I _{FM} = 2.5 A		.975	V	
5	I _{R1}	V _R = 50 V (5802) V _R = 100 V (5804) V _R = 150 V (5806)		1.0	μA	
6	V _{(BR)1}	I _(BR) = 100 μA	1N5802 1N5804 1N5806	60 110 160	V V V	
7						
8		SUBGROUP A3				
9	I _{R2}	V _R = 50 V (5802) V _R = 100 V (5804) V _R = 150 V (5806)	T _A = + 100°C	50	μA	
10	V _{FM3}	I _{FM} = 1.0 A	T _A = + 100°C	0.800	V	
11	V _{FM4}	I _{FM} = 1.0 A	T _A = - 65°C	1.075	V	
12	V _{(BR)2}	I _(BR) = 100 μA	T _A = - 65°C	1N5802 1N5804 1N5806	50 100 150	V V V
13						
14		SUBGROUP 4				
15	t _{rr}	I _F = I _R = 0.5 A I _{RM(REC)} = 0.05 A di/dt = 65 A/μs (min)		25	nS	
16	C _J	V _R = 10 V, f = 1 Mhz V _{sig} = 50 mV (P-P) (MAX)		25	pF	
17	V _{FRM}	t _r = 8 nS I _{FM} = 250 mA		2.2	V	
18	t _{fr}	t _p ≥ 20 nS t _r 8 nS V _{FR} = 1.1 x V _F I _{FM} = 250 mA(pk)		15	nS	

1N5802
 1N5804
 1N5806
 JANHCE and JANKCE
 JANHCF and JANKCF

DIEDIMENSIONS:

MIL-PRF-19500/477C



1N5802, 1N5804, 1N5806

Ltr	Dimensions			
	Inches		Millimeters	
	Min	Max	Min	Max
A	.039	.043	1.00	1.09
B	.031	.035	0.79	0.89
C	.008	.012	0.20	0.30

Notes:

1. Dimensions are in inches.
2. Metric equivalents are given for general information only.

Figure 7. JANC (E-version) die dimensions.