

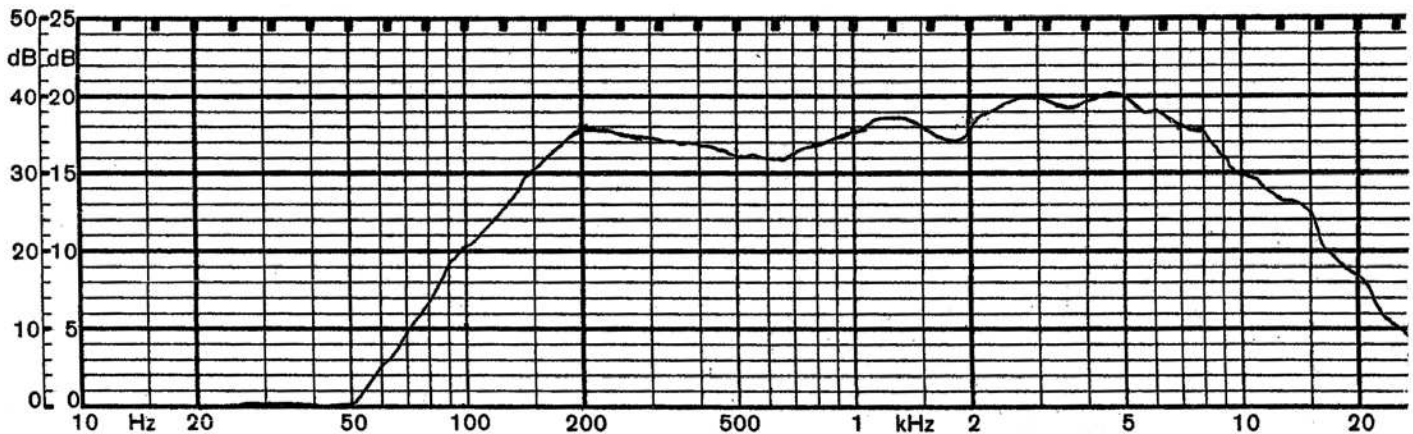


### Specifications

|                      |                                      |   |
|----------------------|--------------------------------------|---|
| Nominal Size         | 102 mm (4.00 in)                     | (See attached drawing)                      |
| Impedance            | 8 Ohm $\pm$ 15%                      | at 600 Hz 1 V                               |
| Resonant frequency   | 230 Hz $\pm$ 46 Hz                   | at 1 V                                      |
| Sound pressure level | 93 dB/w $\pm$ 2 dB                   | 1 w 50 cm ave. at 0.4K, 0.5K, 0.6K, 0.8K Hz |
| Response             | Fo Hz ~ 14 KHz max 10 dB             |   |
| Input power          | Nominal 6 W                          | Handling capacity 10 W                      |
| Operation            | must be normal at program source 6 W |   |
| Buzz, rattle, etc.   | must be normal at sine wave 6.9 V    |   |
| Magnet               | Size: 55 x 25 x 8 mm                 |   |
| Load test            | White noise 6 W                      | for 48 hours                                |
| Heat test            | 70 $\pm$ 2 $^{\circ}$ C              | 20-50% R.H. 48 hours                        |
| Humidity test        | 40 $\pm$ 2 $^{\circ}$ C              | 90-95% R.H. 48 hours                        |

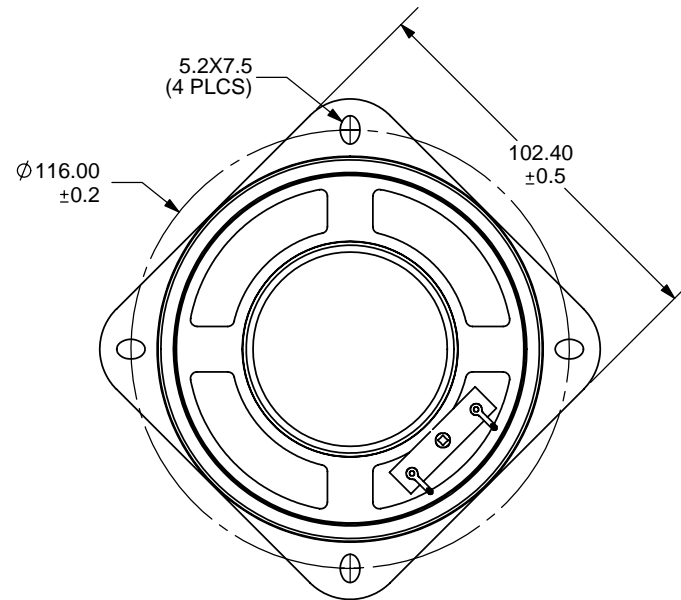
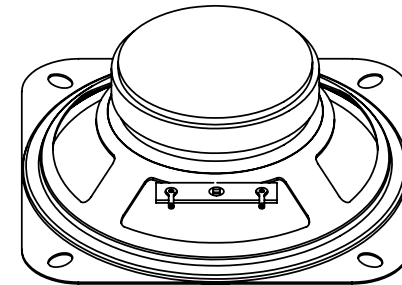
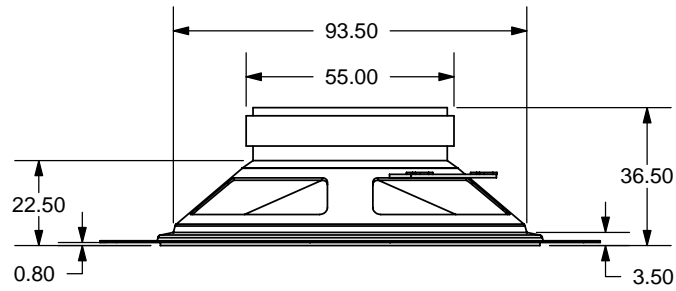
### Frequency Response Curve

|                       |            |
|-----------------------|------------|
| Potentiometer range   | 50 dB      |
| Rectifier             | RMS        |
| Lower limit frequency | 20 Hz      |
| Wr. speed             | 100 mm/sec |



Zero level 60 dB

| REV. | DESCRIPTION | DATE     |
|------|-------------|----------|
| A    | NEW DRAWING | 8/8/2006 |



TOLERANCE:  
±0.5mm UNLESS OTHERWISE  
SPECIFIED



**CUI INC**

20050 SW 112th Ave.  
Tualatin, OR 97062  
Phone: 503-643-4899  
800-275-4899  
Fax: 503-372-1266  
Website: www.cui.com

|   |                    |            |
|---|--------------------|------------|
| TITLE: Square frame mylar cone - ferrite magnet |                    | REV: A     |
| PART NO. GF1004M                                | UNITS: MM [INCHES] |            |
| DRAWN BY: ZRJ                                   | APPROVED BY:       | SCALE: 1:2 |

PC FILE NAME:  
GF1004M

COPYRIGHT 2006 BY CUI INC.