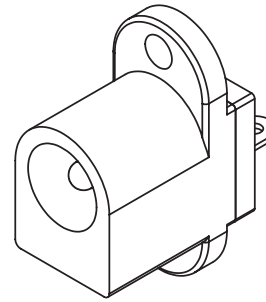
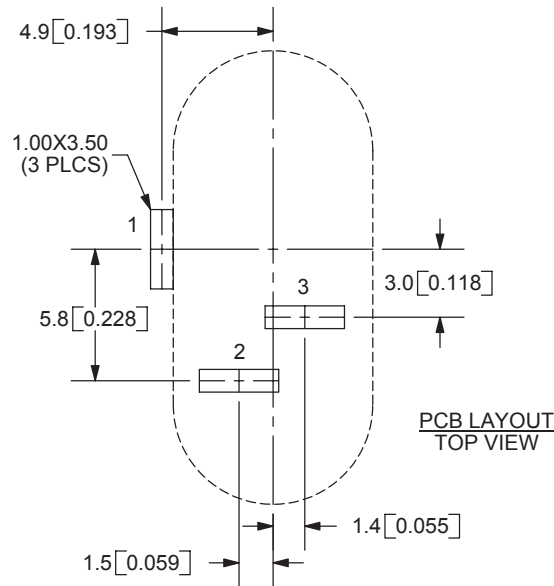
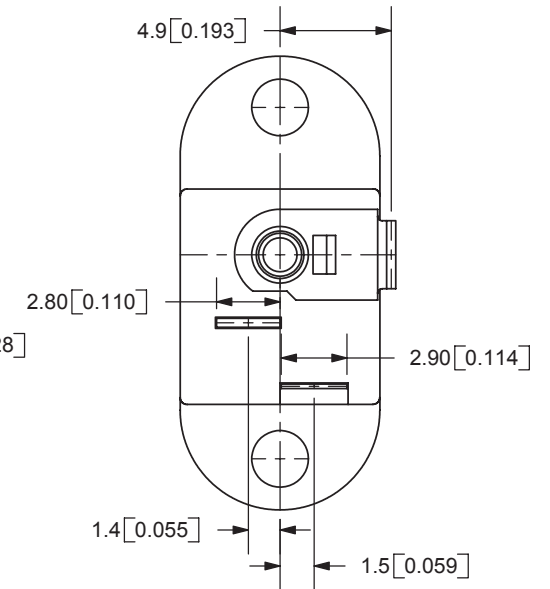
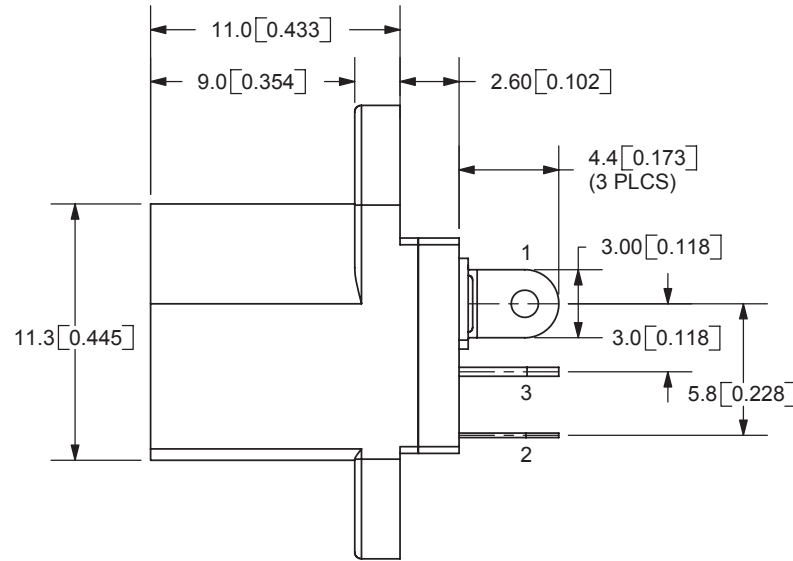
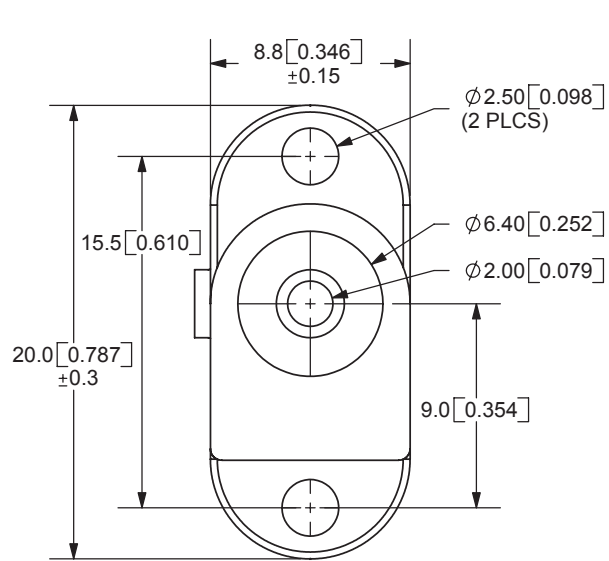


REV.	DESCRIPTION	DATE
A	NEW DRAWING	7/30/2007



SCALE: 2:1

TOLERANCE:
 X.X±0.2mm
 X.XX±0.1mm
 X.XXX±0.05mm



MODEL NO.	PJ-038AH
SCHEMATIC	

CENTER PIN DIAMETER 2.0mm Dia.

SPECIFICATIONS:
 RATING: 16V DC@ 5A
 CONTACT RESISTANCE: 50m OHMS MAX
 INSULATION RESISTANCE: 100M OHMS MIN: 500V DC
 VOLTAGE WITHSTAND: 500V AC R.M.S. FOR 1 MINUTE
 LIFE: 5,000 CYCLES
 OPERATING TEMP: -25° ~ +85°C

	MATERIAL	PLATING
CENTER PIN	Brass	Nickel
TERMINAL 1	Brass	Silver
TERMINAL 2	Copper Alloy	Silver
TERMINAL 3	Brass	Silver
BODY	PBT	

20050 SW 112th Ave.
 Tualatin, OR 97062
 Phone: 503-612-2300
 800-275-4899
 Fax: 503-612-2383
 Website: www.cui.com

TITLE: DC POWER JACK		REV: A
PART NO. PJ-038AH		UNITS: MM [INCHES]
DRAWN BY: ZRJ	APPROVED BY:	SCALE: 3:1

PC FILE NAME:
PJ-038AH

COPYRIGHT 2007 BY CUI INC.