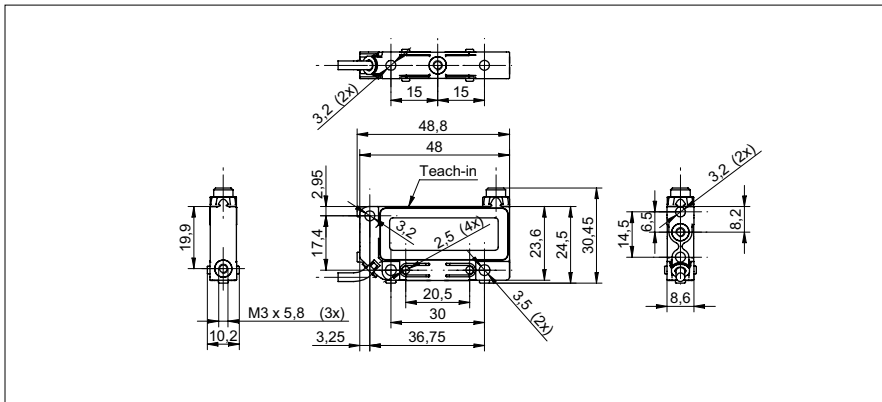


Ultrasonic distance measuring sensors

UNDK 09G8914/IO

dimension drawing



general data

scanning range sd	30 ... 200 mm
scanning range close limit Sdc	30 ... 200 mm
scanning range far limit Sde	30 ... 200 mm
repeat accuracy	< 0,5 mm
repeat accuracy (filter active)	< 0,1 mm
resolution	< 0,3 mm
resolution (filter active)	< 0,1 mm
adjustment	Teach-in and IO-Link
sonic frequency	380 kHz
response time ton	< 7 ms
alignment aid	target indication flashing
light indicator	green LED / red LED
temperature drift	< 2 % of distance to target So

electrical data

voltage supply range +Vs	18 ... 30 VDC
current consumption max. (no load)	35 mA
output circuit	push-pull / IO-Link
baud rate	38400
short circuit protection	yes
reverse polarity protection	yes

mechanical data

type	rectangular
housing material	PA 12
width / diameter	8,6 mm
height / length	48,8 mm
depth	30,5 mm
connection types	cable PUR 4 x 0,08, 2 m

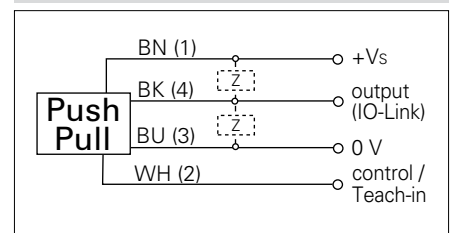
ambient conditions

operating temperature	0 ... +60 °C
protection class	IP 67

photo



connection diagram



IO-Link

- IO-Link: Measuring range, switching window, absolute/relative teach-in, service status, object presence, temperature compensation on/off