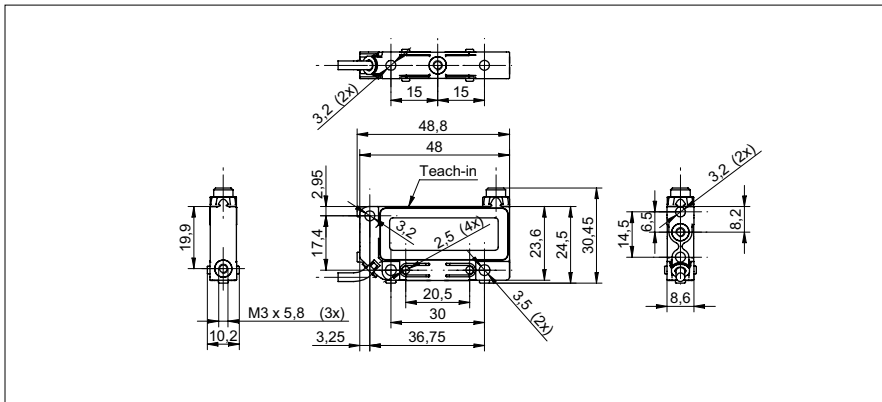


Ultrasonic proximity sensors

UNDK 09G8914

dimension drawing



general data

scanning range sd	30 ... 200 mm
scanning range far limit Sde	30 ... 200 mm
hysteresis typ.	4 % Sde
repeat accuracy	< 0,5 mm
temperature drift	< 0,18 % Sde/K
adjustment	Teach-in
response time ton	< 7 ms
release time toff	< 7 ms
alignment aid	target indication flashing
sonic frequency	380 kHz
output indicator	green LED / red LED

electrical data

voltage supply range +Vs	12 ... 30 VDC
current consumption max. (no load)	35 mA
output circuit	push-pull
output current	< 100 mA
voltage drop Vd	< 2 VDC
residual ripple	< 10 % Vs
short circuit protection	yes
reverse polarity protection	yes

mechanical data

type	rectangular
housing material	PA 12
width / diameter	8,6 mm
height / length	48,8 mm
depth	30,5 mm
connection types	cable PUR 4 x 0,08, 2 m

ambient conditions

operating temperature	0 ... +60 °C
protection class	IP 67

photo



connection diagram

