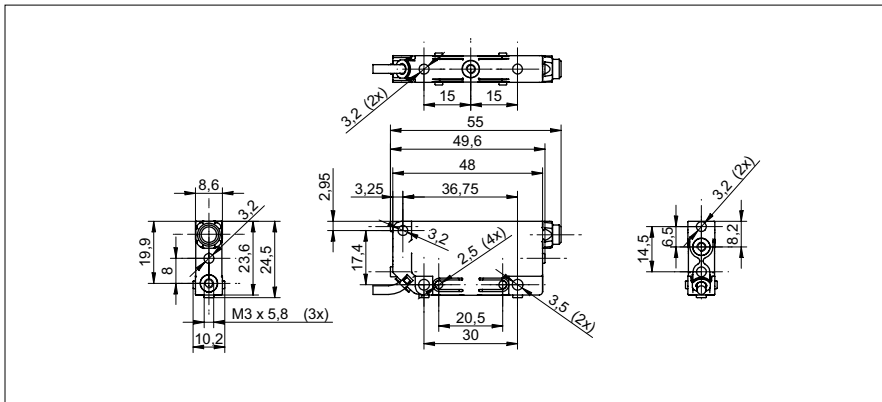


## Ultrasonic distance measuring sensors

### UNCK 09T9114

#### dimension drawing



#### general data

scanning range sd	30 ... 200 mm
scanning range close limit Sdc	30 ... 200 mm
scanning range far limit Sde	30 ... 200 mm
repeat accuracy	< 0,5 mm
repeat accuracy (filter active)	< 0,1 mm
resolution	< 0,3 mm
resolution (filter active)	< 0,1 mm
sonic frequency	380 kHz
response time ton	< 7 ms
alignment aid	target indication flashing
light indicator	yellow LED / red LED
temperature drift	< 2 % of distance to target So

#### electrical data

voltage supply range +Vs	15 ... 30 VDC
current consumption max. (no load)	35 mA
output circuit	RS 232
baud rate	115200
residual ripple	< 10 % Vs
short circuit protection	yes
reverse polarity protection	yes, Vs to GND

#### mechanical data

type	rectangular
housing material	PA 12
width / diameter	8,6 mm
height / length	55 mm
depth	24,5 mm
connection types	cable PUR 4 x 0,08, 2 m

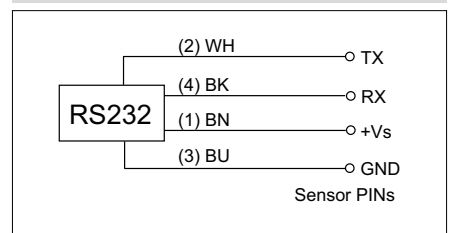
#### ambient conditions

operating temperature	0 ... +60 °C
protection class	IP 67

#### photo



#### connection diagram



- Information about functional range see instruction manual on [www.baumer.com](http://www.baumer.com)