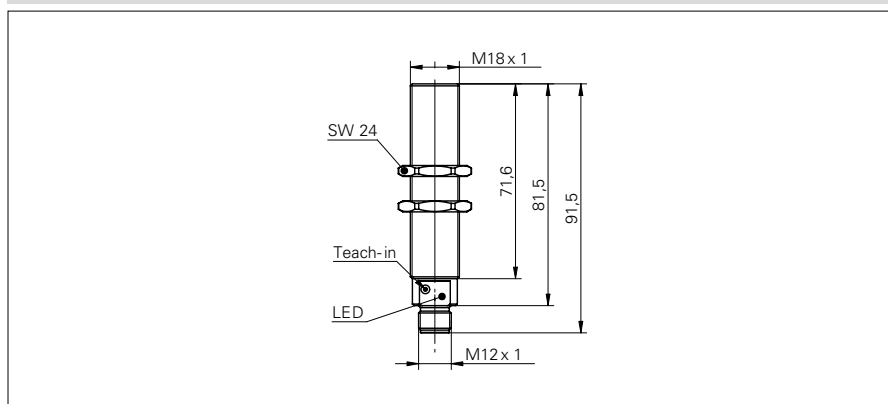


Ultrasonic proximity sensors

UNAR 18N7903/S14G

dimension drawing



general data

special type	chemically resistant
scanning range sd	100 ... 1000 mm
scanning range far limit Sde	100 ... 1000 mm
hysteresis typ.	4 % Sde
repeat accuracy	< 0,5 mm
temperature drift	< 0,18 % Sde/K
adjustment	Teach-in
response time ton	< 50 ms
release time toff	< 50 ms
alignment aid	target indication flashing
sonic frequency	240 kHz
output indicator	LED green

electrical data

voltage supply range +Vs	12 ... 30 VDC
current consumption max. (no load)	35 mA
output circuit	NPN break function (NC)
output current	< 200 mA
voltage drop Vd	< 2 VDC
residual ripple	< 10 % Vs
short circuit protection	yes
reverse polarity protection	yes

mechanical data

type	cylindrical threaded
housing material	stainless steel 1.4435 (V4A)
coating active face	Parylene
material O-ring	FFKM
front of sensor durable against pressure	6 bar, 20'000 cycle
width / diameter	18 mm
height / length	91,5 mm
connection types	connector M12

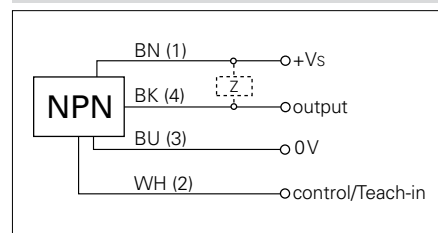
ambient conditions

operating temperature	0 ... +60 °C
protection class	IP 67

photo



connection diagram



- internal and external Teach-in
- chemically resistant version