

SERIES: EPSA 24W | **DESCRIPTION:** AC-DC POWER SUPPLY

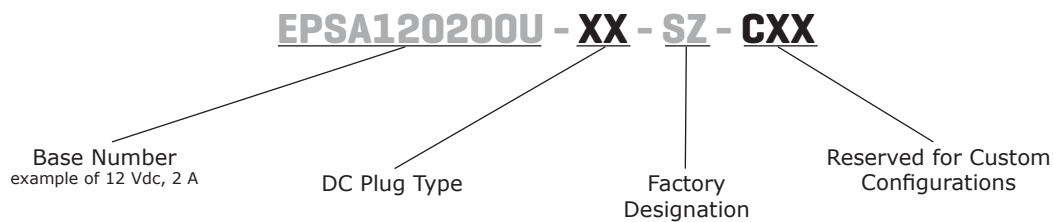
FEATURES

- up to 24 W power
- universal input (90~264 Vac)
- single regulated output from 12~24 V
- short circuit protections
- UL/cUL safety approvals
- level V efficiency
- custom designs available



| MODEL | output voltage | output current max | output power max | ripple and noise ¹ max | efficiency level |
|-------------|----------------|--------------------|------------------|-----------------------------------|------------------|
| | (Vdc) | (A) | (W) | (mVp-p) | |
| EPSA120200U | 12 | 2 | 24 | 150 | V |
| EPSA150160U | 15 | 1.6 | 24 | 150 | V |
| EPSA240100U | 24 | 1 | 24 | 240 | V |

Notes: 1. At full load, 100 ~ 240 Vac input, 20 MHz bandwidth oscilloscope, each output terminated with 10 μ F aluminum electrolytic and 0.1 μ F ceramic capacitors.

PART NUMBER KEY


INPUT

| parameter | conditions/description | min | nom | max | units |
|-----------------------------|--|-----|-----|-----------|--------|
| voltage | | 90 | | 264 | Vac |
| frequency | | 47 | | 63 | Hz |
| current | | | | 0.8 | A RMS |
| inrush current ¹ | at 115 Vac, full load, cold start at 230 Vac, full load, cold start | | | 50 100 | A A |
| no load power consumption | | | | 0.3 | W |

Notes: 1. 24 V model, no damage at 230 Vac, cool start

OUTPUT

| parameter | conditions/description | min | nom | max | units |
|-----------------|------------------------|-----|-----|-----|-------|
| line regulation | | | ±1 | | % |
| load regulation | | | ±5 | | % |

PROTECTIONS

| parameter | conditions/description |
|--------------------------|-----------------------------------|
| short circuit protection | output shut down and auto restart |

SAFETY & COMPLIANCE

| parameter | conditions/description | min | nom | max | units |
|----------------------|---------------------------------------|-----|-----|----------------|------------|
| isolation voltage | input to output at 10 mA for 1 minute | | | 3,000 4,242 | Vac Vdc |
| isolation resistance | input to output at 500 Vdc | 100 | | | MΩ |
| safety approvals | UL 60950-1 | | | | |
| EMI/EMC | FCC Class B, CE Class B | | | | |
| leakage current | | | | 0.25 | mA |
| RoHS compliant | yes | | | | |

ENVIRONMENTAL

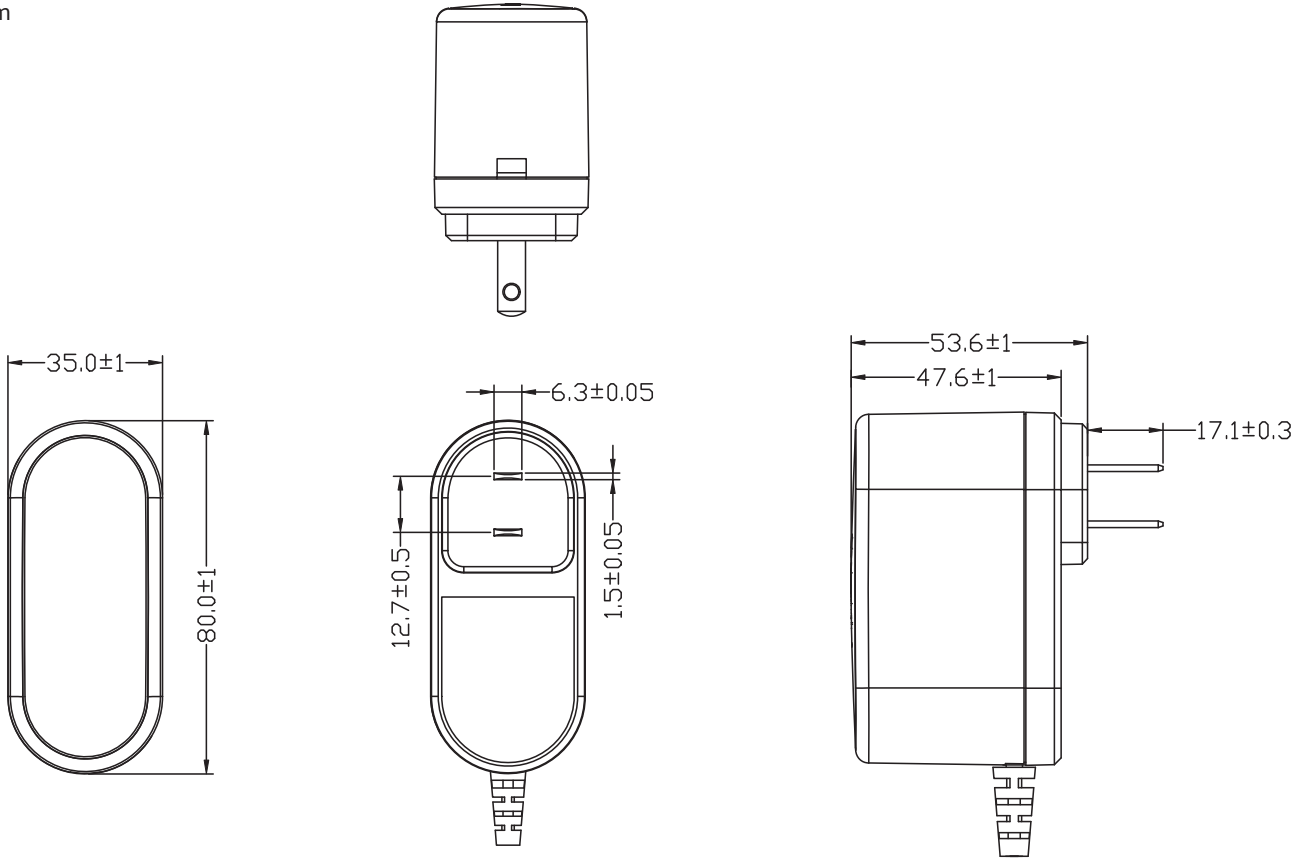
| parameter | conditions/description | min | nom | max | units |
|-----------------------|------------------------|-----|-----|-----|-------|
| operating temperature | | 0 | | 40 | °C |
| storage temperature | | -10 | | 70 | °C |
| operating humidity | | 20 | | 80 | % |
| storage humidity | | 10 | | 90 | % |

MECHANICAL

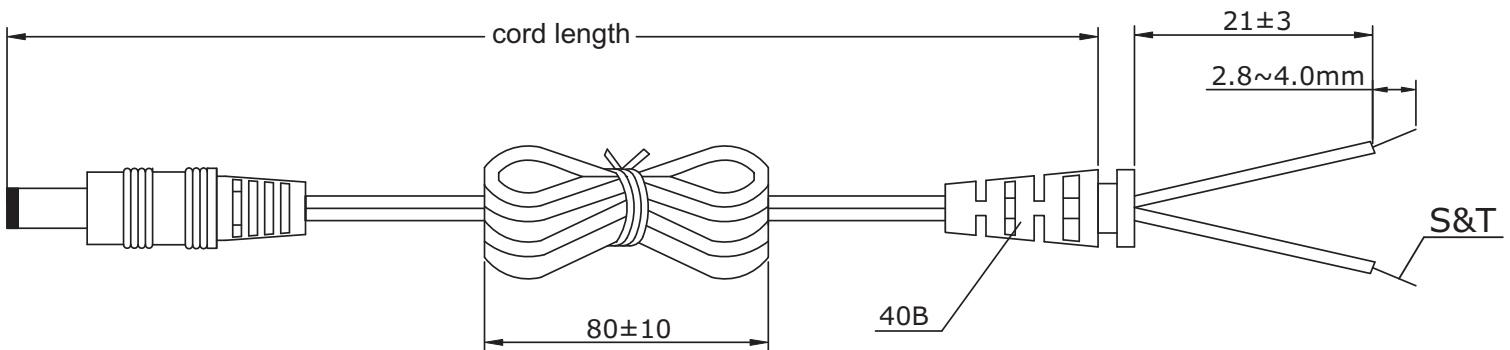
| parameter | conditions/description | min | typ | max | units |
|------------|---|-----|-----|-----|-------|
| dimensions | 3.150 x 2.110 x 1.378 (80 x 53.6 x 35 mm) | | | | inch |
| input plug | fixed US | | | | |

MECHANICAL DRAWING

units: mm



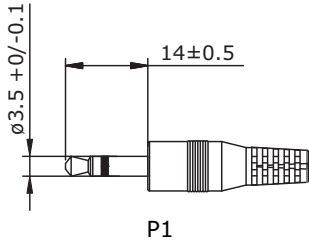
DC CORD



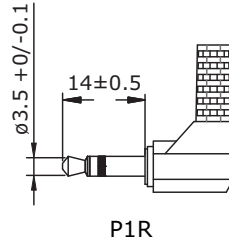
| MODEL NO. | CABLE GAUGE | CORD LENGTH |
|-------------|-------------|--------------------|
| EPSA120200U | 20 AWG | 1,530 mm ± 100 |
| EPSA150160U | 20 AWG | 1,530 mm ± 100 |
| EPSA240100U | 22 AWG | 1,530 mm ± 100 |

OUTPUT PLUG OPTIONS

3.5 mm Phono Plug



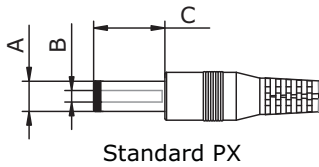
P1



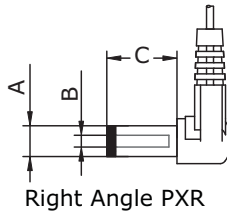
P1R

*Tip positive

Standard DC Plug



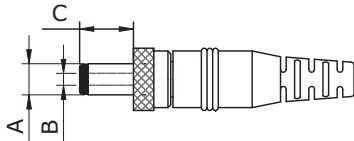
Standard PX



Right Angle PXR

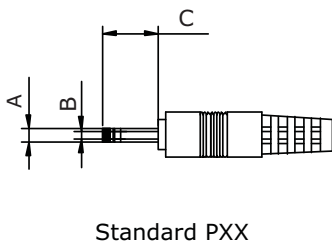
| | A | B | C | Unit |
|--------|-----|------|-----|------|
| P5/P5R | 5.5 | 2.1 | 9.5 | mm |
| P6/P6R | 5.5 | 2.5 | 9.5 | mm |
| P7/P7R | 3.5 | 1.35 | 9.5 | mm |
| P8/P8R | 3.8 | 1.35 | 9.5 | mm |
| P9/P9R | 3.8 | 1.05 | 9.5 | mm |

Locking DC Plug

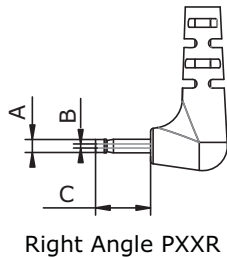


| | A | B | C | Unit |
|-----|-----|-----|-----|------|
| P10 | 5.5 | 2.1 | 9.5 | mm |
| P11 | 5.5 | 2.5 | 9.5 | mm |

EIAJ Plugs

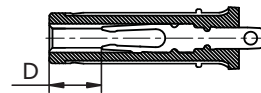


Standard PXX

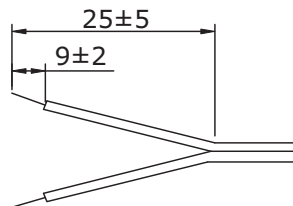


Right Angle PXXR

| | EIAJ | A | B | C | D | Unit |
|----------|--------|------|-----|-----|-----|------|
| P12/P12R | EIAJ-1 | 2.35 | 0.7 | 9.5 | NA | mm |
| P13/P13R | EIAJ-2 | 4.0 | 1.7 | 9.5 | 5.0 | mm |
| P14/P14R | EIAJ-3 | 4.75 | 1.7 | 9.5 | 5.0 | mm |



Stripped and Tinned



DC PLUG TYPE

ST
Stripped and Tinned

PXXXX

Plug Type Plug Angle:
"Blank" = Standard
R = Right Angle Plug Polarity:
"Blank" = N/A
P = Center Positive ⊖ — ⊕
N = Center Negative ⊕ — ⊖

*Contact CUI for additional output plug options.

REVISION HISTORY

| rev. | description | date |
|------|--|------------|
| 1.0 | initial release | 02/01/2010 |
| 1.01 | updated output plug options | 06/21/2010 |
| 1.02 | updated inrush current, protection data, and output plug options | 07/06/2011 |
| 1.03 | new template applied | 01/27/2012 |
| 1.04 | updated P7/P7R B dimension | 03/15/2012 |
| 1.05 | V-Infinity branding removed, EMI/EMC data updated | 08/21/2012 |

The revision history provided is for informational purposes only and is believed to be accurate.



CUI INC[®]

Headquarters
20050 SW 112th Ave.
Tualatin, OR 97062
800.275.4899

Fax 503.612.2383
cui.com
techsupport@cui.com

This device complies with part 15 of the FCC Rules. Operation is subject to the following two conditions:

- (1) This device may not cause harmful interference, and
- (2) this device must accept any interference received, including interference that may cause undesired operation.

CUI offers a one (1) year limited warranty. Complete warranty information is listed on our website.

CUI reserves the right to make changes to the product at any time without notice. Information provided by CUI is believed to be accurate and reliable. However, no responsibility is assumed by CUI for its use, nor for any infringements of patents or other rights of third parties which may result from its use.

CUI products are not authorized or warranted for use as critical components in equipment that requires an extremely high level of reliability. A critical component is any component of a life support device or system whose failure to perform can be reasonably expected to cause the failure of the life support device or system, or to affect its safety or effectiveness.