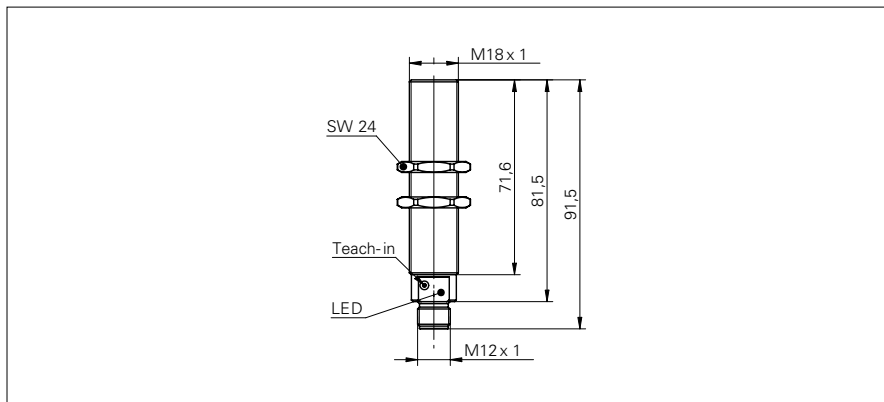


Ultrasonic distance measuring sensors

UNAR 18I6912/S14G

dimension drawing



general data

special type	chemically resistant
scanning range sd	60 ... 400 mm
scanning range close limit Sdc	60 ... 400 mm
scanning range far limit Sde	60 ... 400 mm
repeat accuracy	< 0,5 mm
resolution	< 0,3 mm
adjustment	Teach-in
sonic frequency	400 kHz
response time ton	< 60 ms
release time toff	< 60 ms
alignment aid	target indication flashing
light indicator	yellow LED / red LED
temperature drift	< 2 % of distance to target So

electrical data

voltage supply range +Vs	15 ... 30 VDC
current consumption max. (no load)	55 mA
output circuit	current output
output signal	4 ... 20 mA / 20 ... 4 mA
output current	< 20 mA
load resistance +Vs max.	< 1100 Ohm
load resistance +Vs min.	< 400 Ohm
residual ripple	< 10 % Vs
short circuit protection	yes
reverse polarity protection	yes

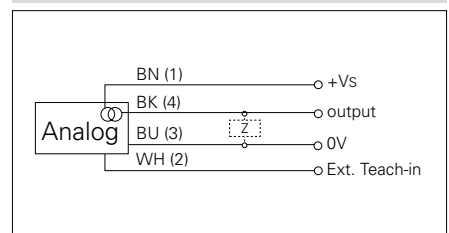
mechanical data

type	cylindrical threaded
housing material	stainless steel 1.4435 (V4A)
coating active face	Parylene
material O-ring	FFKM
front of sensor durable against pressure	6 bar, 20'000 cycle
width / diameter	18 mm
height / length	91,5 mm
connection types	connector M12

photo



connection diagram



- internal and external Teach-in
- chemically resistant version

Ultrasonic distance measuring sensors

UNAR 18I6912/S14G

ambient conditions

operating temperature	0 ... +60 °C
protection class	IP 67