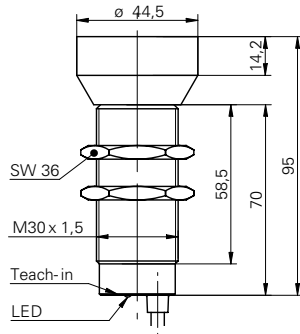


## Ultrasonic distance measuring sensors

### UNAM 50U6121

#### dimension drawing



#### general data

scanning range sd	400 ... 2500 mm
scanning range close limit Sdc	400 ... 2500 mm
scanning range far limit Sde	400 ... 2500 mm
repeat accuracy	< 1 mm
resolution	< 0,3 mm
adjustment	Teach-in
sonic frequency	120 kHz
response time ton	< 160 ms
release time toff	< 160 ms
alignment aid	target indication flashing
light indicator	yellow LED / red LED
temperature drift	< 2 % of distance to target So

#### electrical data

voltage supply range +Vs	15 ... 30 VDC
current consumption max. (no load)	35 mA
output circuit	voltage output
output signal	0 ... 10 V / 10 ... 0 V
output current	< 20 mA
residual ripple	< 10 % Vs
short circuit protection	yes
reverse polarity protection	yes

#### mechanical data

type	cylindrical threaded
housing material	brass nickel plated
width / diameter	30 mm
height / length	95 mm
connection types	cable, 2 m

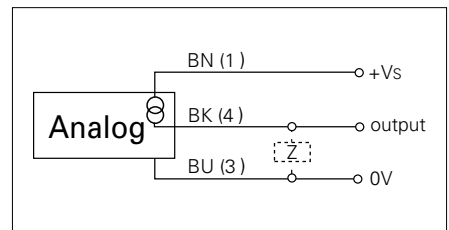
#### ambient conditions

operating temperature	-10 ... +60 °C
protection class	IP 67

#### photo



#### connection diagram



- Analog voltage output 0 - 10 V
- long sensing distance