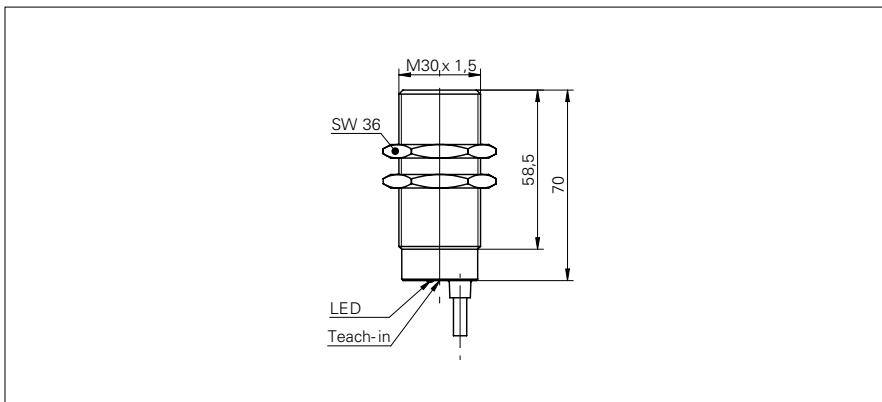


## Ultrasonic distance measuring sensors

### UNAM 30I6103

#### dimension drawing



#### general data

scanning range sd	100 ... 1000 mm
scanning range close limit Sdc	100 ... 1000 mm
scanning range far limit Sde	100 ... 1000 mm
version	standard
repeat accuracy	< 0,5 mm
resolution	< 0,3 mm
adjustment	Teach-in
sonic frequency	240 kHz
response time ton	< 80 ms
release time toff	< 80 ms
alignment aid	target indication flashing
light indicator	yellow LED / red LED
temperature drift	< 2 % of distance to target So

#### electrical data

voltage supply range +Vs	15 ... 30 VDC
current consumption max. (no load)	55 mA
output circuit	current output
output signal	4 ... 20 mA / 20 ... 4 mA
output current	< 20 mA
load resistance +Vs max.	< 1100 Ohm
load resistance +Vs min.	< 400 Ohm
residual ripple	< 10 % Vs
short circuit protection	yes
reverse polarity protection	yes

#### mechanical data

type	cylindrical threaded
housing material	brass nickel plated
width / diameter	30 mm
height / length	70 mm
connection types	cable, 2 m

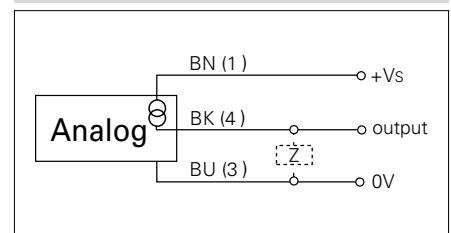
#### ambient conditions

operating temperature	-10 ... +60 °C
protection class	IP 67

#### photo



#### connection diagram



- Analog current output 4-20 mA