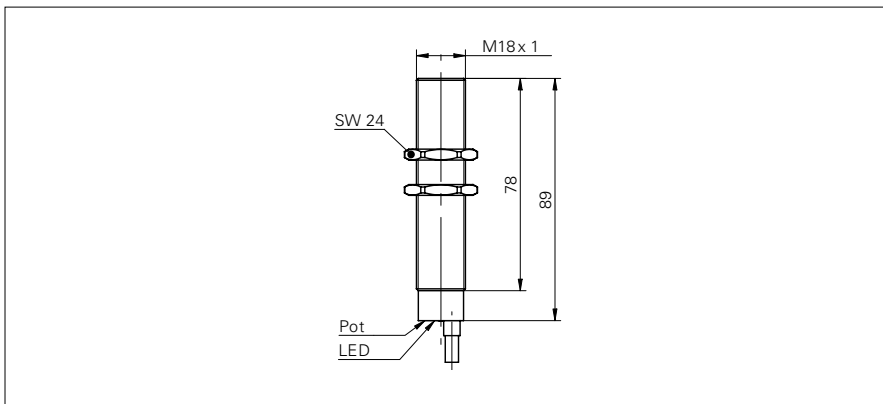


## Ultrasonic proximity sensors

## UNAM 18N1703

## dimension drawing



## general data

scanning range sd	100 ... 700 mm
scanning range far limit Sde	110 ... 700 mm
hysteresis typ.	4 % Sde
repeat accuracy	< 0,5 mm
synchronization	yes
temperature drift	< 0,18 % Sde/K
adjustment	potentiometer
response time ton (sync on)	< 50 ms
release time toff (sync on)	< 50 ms
alignment aid	target indication flashing
sonic frequency	240 kHz
output indicator	LED green

## electrical data

voltage supply range +Vs	12 ... 30 VDC
current consumption max. (no load)	30 mA
output circuit	NPN make function (NO)
output current	< 200 mA
voltage drop Vd	< 2 VDC
residual ripple	< 10 % Vs
short circuit protection	yes
reverse polarity protection	yes

## mechanical data

type	cylindrical threaded
housing material	brass nickel plated
width / diameter	18 mm
height / length	89 mm
connection types	cable, 2 m

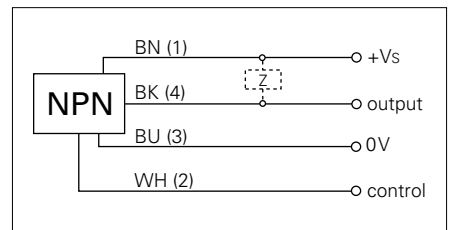
## ambient conditions

operating temperature	-10 ... +60 °C
protection class	IP 67

## photo



## connection diagram



- with synchronization output