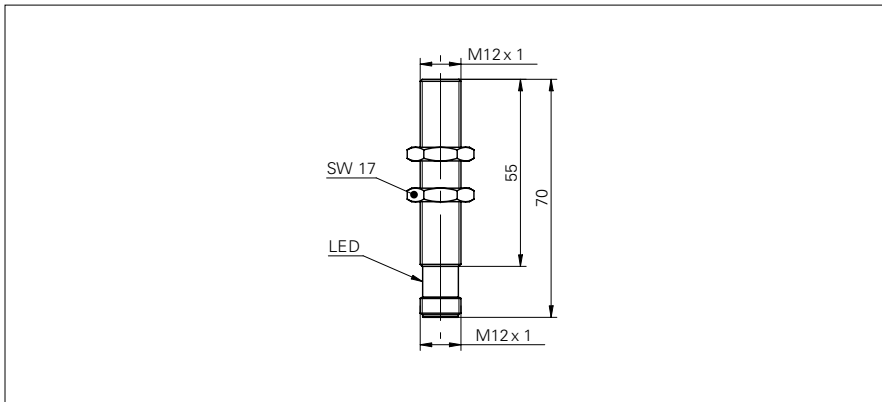


## Ultrasonic proximity sensors

## UNAM 12N1914/S14

## dimension drawing



## general data

scanning range $s_d$	10 ... 200 mm
scanning range far limit $S_{de}$	30 ... 200 mm
hysteresis typ.	4 % $S_{de}$
repeat accuracy	< 0,5 mm
temperature drift	< 0,18 % $S_{de}/K$
adjustment	external Teach-in
response time $t_{on}$	< 10 ms
release time $t_{off}$	< 10 ms
alignment aid	target indication flashing
sonic frequency	380 kHz
output indicator	LED green

## electrical data

voltage supply range $+V_s$	12 ... 30 VDC
current consumption max. (no load)	35 mA
output circuit	NPN make function (NO)
output current	< 200 mA
voltage drop $V_d$	< 2 VDC
residual ripple	< 10 % $V_s$
short circuit protection	yes
reverse polarity protection	yes

## mechanical data

type	cylindrical threaded
housing material	brass nickel plated
width / diameter	12 mm
height / length	70 mm
connection types	connector M12

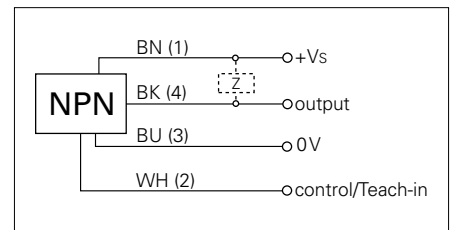
## ambient conditions

operating temperature	-10 ... +60 °C
protection class	IP 67

## photo



## connection diagram



- external Teach-in
- miniature housing