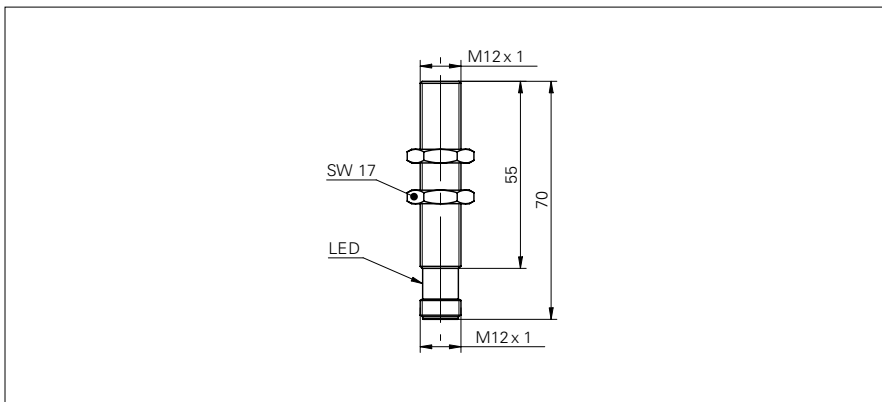


Ultrasonic proximity sensors

UNAM 12N1912/S14

dimension drawing



general data

scanning range s_d	40 ... 400 mm
scanning range far limit S_{de}	60 ... 400 mm
hysteresis typ.	4 % S_{de}
repeat accuracy	< 0,5 mm
temperature drift	< 0,18 % S_{de}/K
adjustment	external Teach-in
response time t_{on}	< 25 ms
release time t_{off}	< 25 ms
alignment aid	target indication flashing
sonic frequency	290 kHz
output indicator	LED green

electrical data

voltage supply range $+V_s$	12 ... 30 VDC
current consumption max. (no load)	35 mA
output circuit	NPN make function (NO)
output current	< 200 mA
voltage drop V_d	< 2 VDC
residual ripple	< 10 % V_s
short circuit protection	yes
reverse polarity protection	yes

mechanical data

type	cylindrical threaded
housing material	brass nickel plated
width / diameter	12 mm
height / length	70 mm
connection types	connector M12

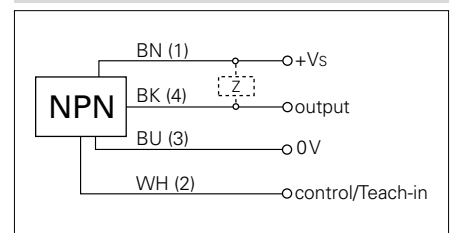
ambient conditions

operating temperature	-10 ... +60 °C
protection class	IP 67

photo



connection diagram



- external Teach-in
- miniature housing