

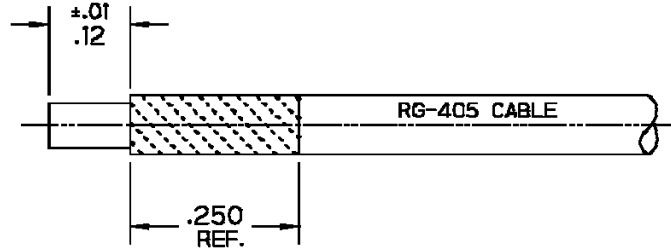
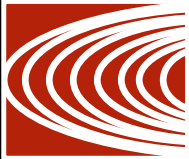
NOTES:

1.0 Materials

- 1.1 Contact: Heat Treated BeCu alloy per ASTM-B-196.
- 1.2 Body and Clamp Nut: 303 SST per ASTM-A-484 and ASTM-A-582.
- 1.3 Solder Ferrule: 360 Brass per ASTM-B16.
- 1.4 O-Ring: Silicone per ZZ-R-765.

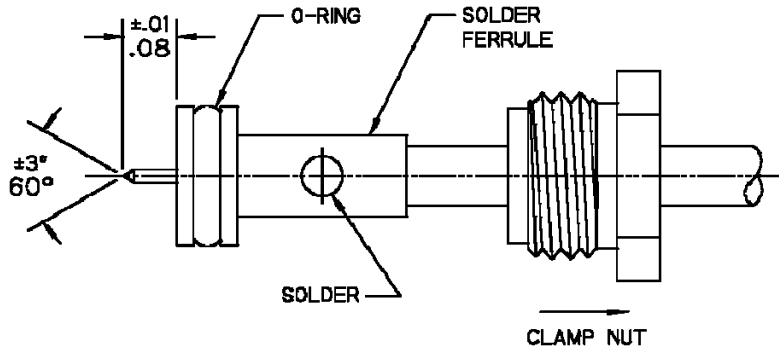
2.0 Finishes

- 2.1 Contact and Solder Ferrule: Gold Plate per ASTM-B-488 over nickel per QQ-N-290.
- 2.2 Body and Clamp Nut: Passivated per ASTM-A-967-99.



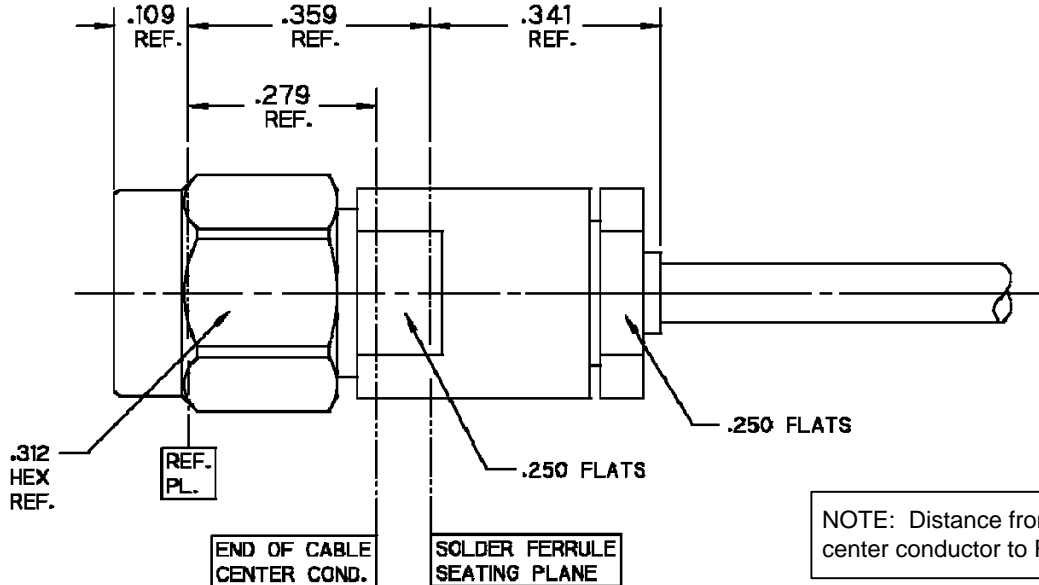
- 1.1 Trim cable to expose dielectric core as shown.
 1.2 Pre-tin cable jacket to approximate dimension shown.

Step 1



- 2.1 Slide clamp nut onto cable in orientation shown.
 2.2 Insert cable into solder ferrule until fully seated, then solder cable to ferrule where shown.
 2.3 Trim cable dielectric flush with ferrule face (do not score center conductor), then point center conductor as shown.

Step 2



- 3.1 Insert cable sub-assembly into connector body until solder ferrule is seated and tighten clamp nut to 25-35 in. lbs.

Step 3

Product Control:

Crystek Part Number:	CS-FM-MSR	Release Date:	18-Jul-11
Revision Level:	C	Responsible:	K. Piotrowicz

