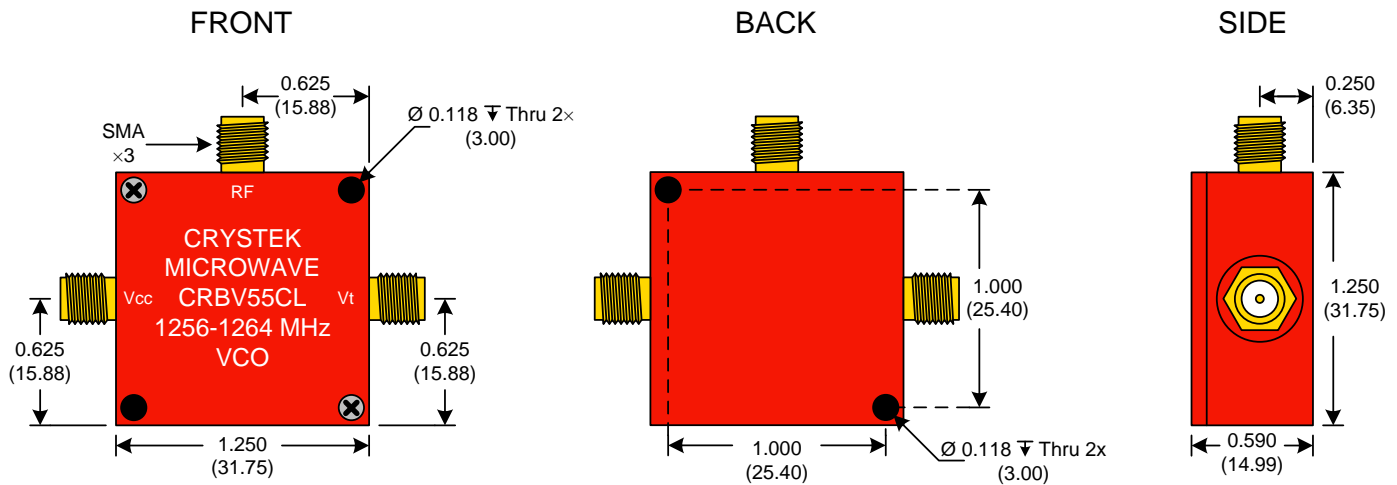




PERFORMANCE SPECIFICATION	MIN	TYP	MAX	UNITS
Lower Frequency:			1256	MHz
Upper Frequency:	1264			MHz
Tuning Voltage:	0.5		4.5	VDC
Supply Voltage:	4.75	5.0	5.25	VDC
Output Power:	+3.0	+5.0	+7.0	dBm
Supply Current:			20	mA
Harmonic Suppression (2 nd Harmonic)		-17	-12	dBc
Pushing:		0.2	0.8	MHz/V
Pulling, all Phases:		0.3	1.5	MHz pk-pk
Tuning Sensitivity:		15		MHz/V
Phase Noise @ 10kHz offset:		-112		dBc/Hz
Phase Noise @ 100kHz offset:		-127		dBc/Hz
Load Impedance:		50		Ω
Input Capacitance:			68	pF
Operating Temperature Range:	-30		+70	$^{\circ}\text{C}$
Storage Temperature Range:	-45		+90	$^{\circ}\text{C}$

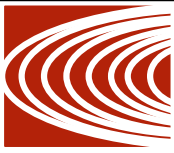


● Unless otherwise specified, Dimensions are in: $\frac{\text{IN}}{\text{(mm)}}$

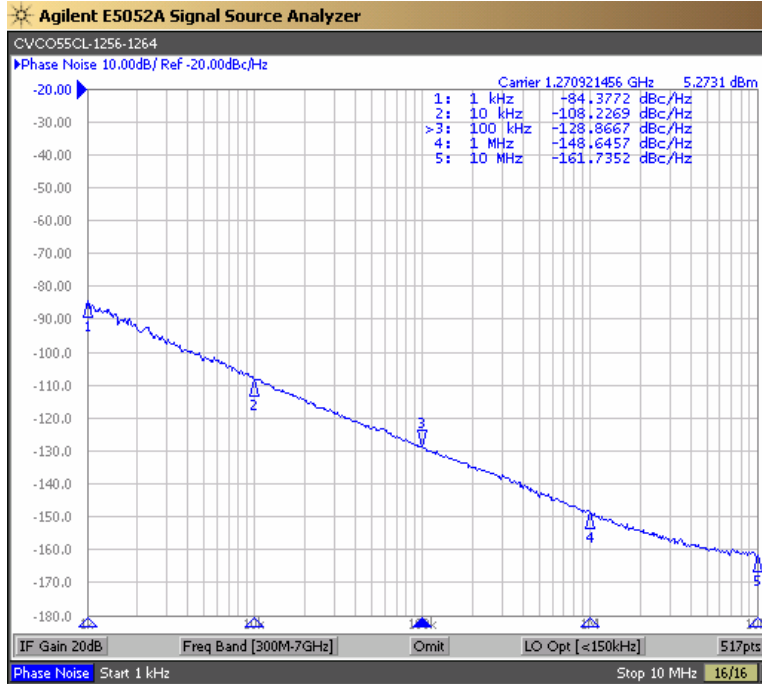
Product Control:

Crystek Part Number:	CRBV55CL-1256-1264	Release Date:	26-May-11
Revision Level:	C	Responsible:	C. Vales

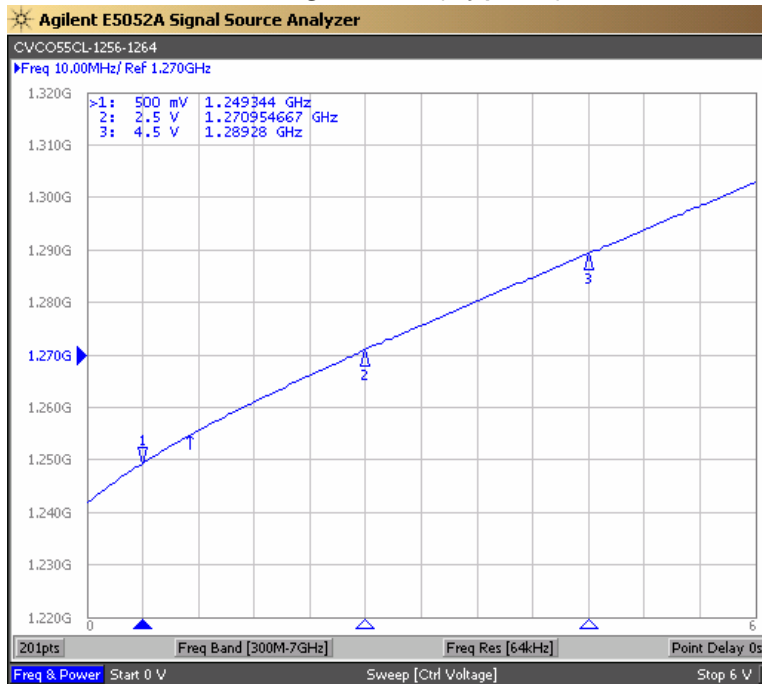




Phase Noise (1 Hz BW, Typical)



Tuning Curve (Typical)



Product Control:

Crystek Part Number:	CRBV55CL-1256-1264	Release Date:	26-May-11
Revision Level:	C	Responsible:	C. Vales

Specification is subject to change without notice

