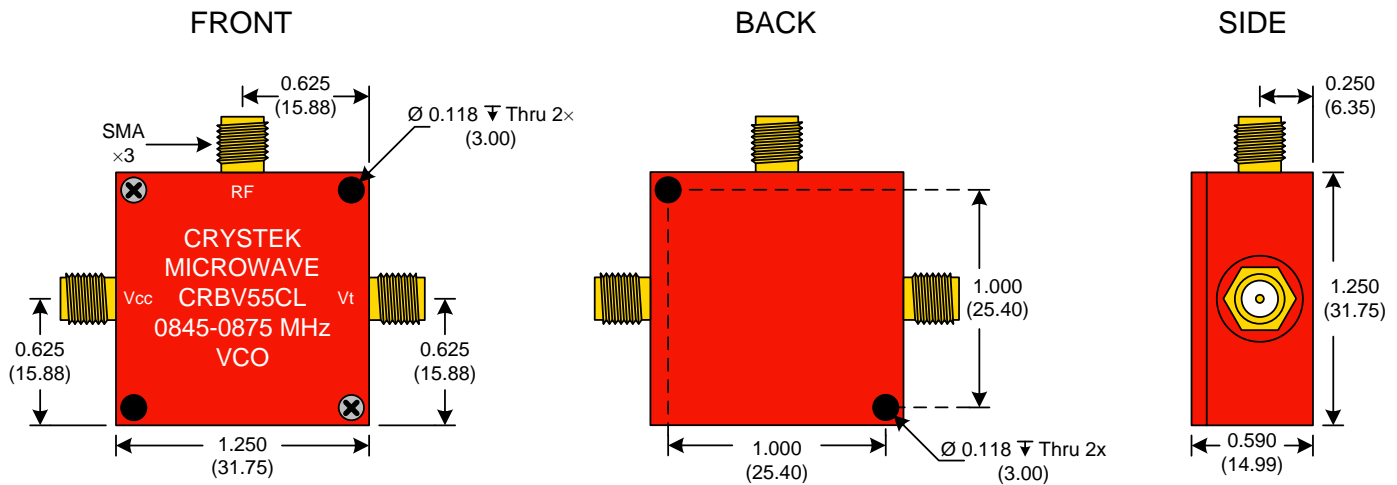


PERFORMANCE SPECIFICATION	MIN	TYP	MAX	UNITS
Lower Frequency:			845	MHz
Upper Frequency:	875			MHz
Tuning Voltage:	0.5		4.5	VDC
Supply Voltage:	4.75	5.0	5.25	VDC
Output Power:	0	3.0	6.0	dBm
Supply Current:			15	mA
Harmonic Suppression (2 nd Harmonic)		-15	-10	dBc
Pushing:		1.0	2.5	MHz/V
Pulling, all Phases:		1.0	2.0	MHz pk-pk
Tuning Sensitivity:		15		MHz/V
Phase Noise @ 10kHz offset:		-113	-106	dBc/Hz
Phase Noise @ 100kHz offset:		-133	-125	dBc/Hz
Load Impedance:		50		Ω
Input Capacitance:		100		pF
Operating Temperature Range:	-35		+85	$^{\circ}\text{C}$
Storage Temperature Range:	-45		+90	$^{\circ}\text{C}$

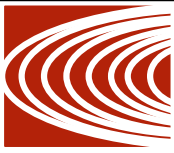


● Unless otherwise specified, Dimensions are in: $\frac{\text{IN}}{\text{mm}}$

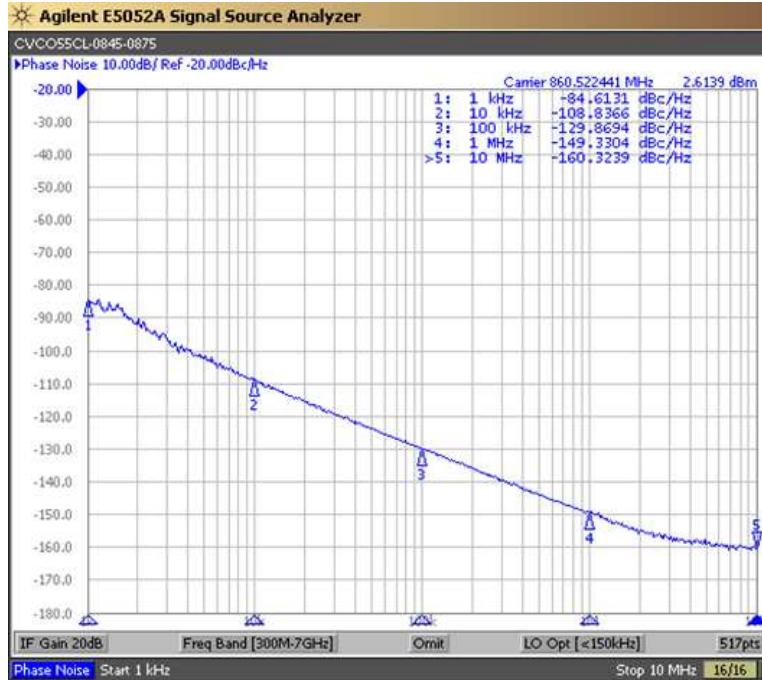
Product Control:

Crystek Part Number:	CRBV55CL-0845-0875	Release Date:	14-Dec-10
Revision Level:	A	Responsible:	C. Vales

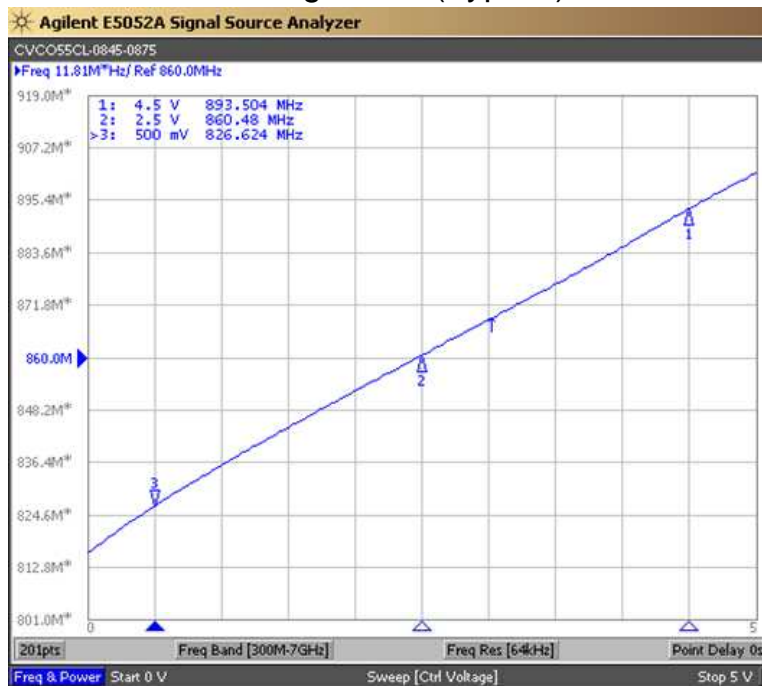




Phase Noise (1 Hz BW, Typical)



Tuning Curve (Typical)



Product Control:

Crystek Part Number:	CRBV55CL-0845-0875	Release Date:	14-Dec-10
Revision Level:	A	Responsible:	C. Vales

Specification is subject to change without notice

