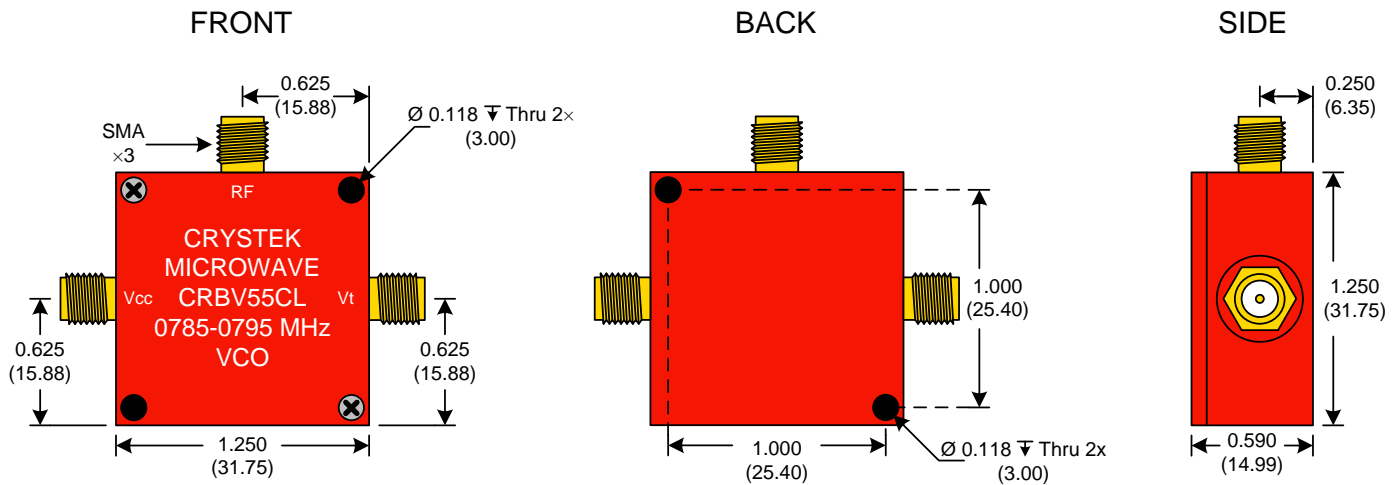




| PERFORMANCE SPECIFICATION                       | MIN  | TYP  | MAX  | UNITS              |
|---|------|------|------|--------------------|
| Lower Frequency:                                |      |      | 785  | MHz                |
| Upper Frequency:                                | 795  |      |      | MHz                |
| Tuning Voltage:                                 | 0.5  |      | 4.5  | VDC                |
| Supply Voltage:                                 | 4.75 | 5.0  | 5.25 | VDC                |
| Output Power:                                   | -2.0 | 0    | +2.0 | dBm                |
| Supply Current:                                 |      | 16   | 25   | mA                 |
| Harmonic Suppression (2 <sup>nd</sup> Harmonic) |      | -15  | -10  | dBc                |
| Pushing:  |      | 0.5  | 1.0  | MHz/V              |
| Pulling, all Phases:                            |      | 0.5  | 1.0  | MHz pk-pk          |
| Tuning Sensitivity:                             |      | 3    |      | MHz/V              |
| Phase Noise @ 10kHz offset:                     |      | -115 |      | dBc/Hz             |
| Phase Noise @ 100kHz offset:                    |      | -136 |      | dBc/Hz             |
| Load Impedance:                                 |      | 50   |      | $\Omega$           |
| Input Capacitance:                              |      |      | 150  | pF                 |
| Operating Temperature Range:                    | -30  |      | +70  | $^{\circ}\text{C}$ |
| Storage Temperature Range:                      | -45  |      | +90  | $^{\circ}\text{C}$ |



● Unless otherwise specified, Dimensions are in:  $\frac{\text{IN}}{\text{(mm)}}$

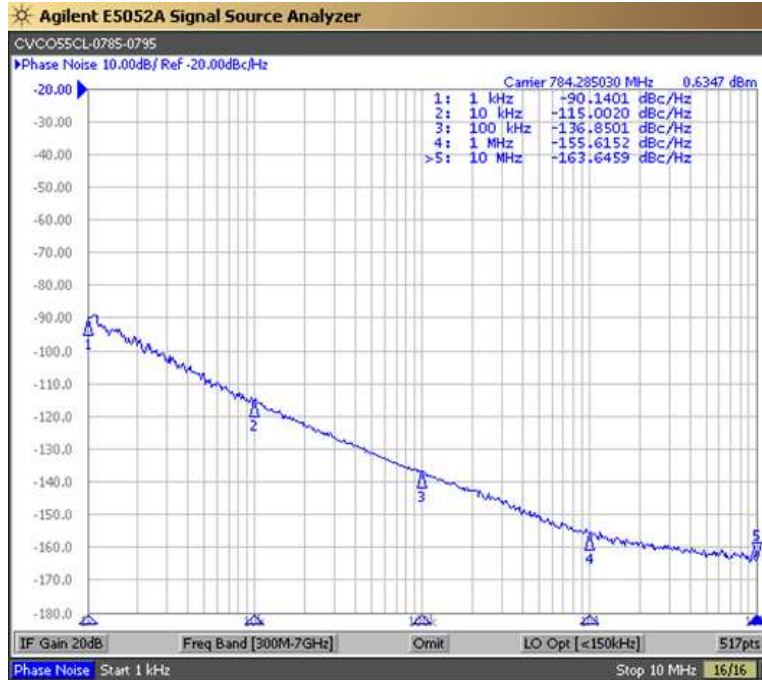
**Product Control:**

|                      |                    |               |           |
|----------------------|--------------------|---------------|-----------|
| Crystek Part Number: | CRBV55CL-0785-0795 | Release Date: | 14-Sep-10 |
| Revision Level:      | A                  | Responsible:  | C. Vales  |

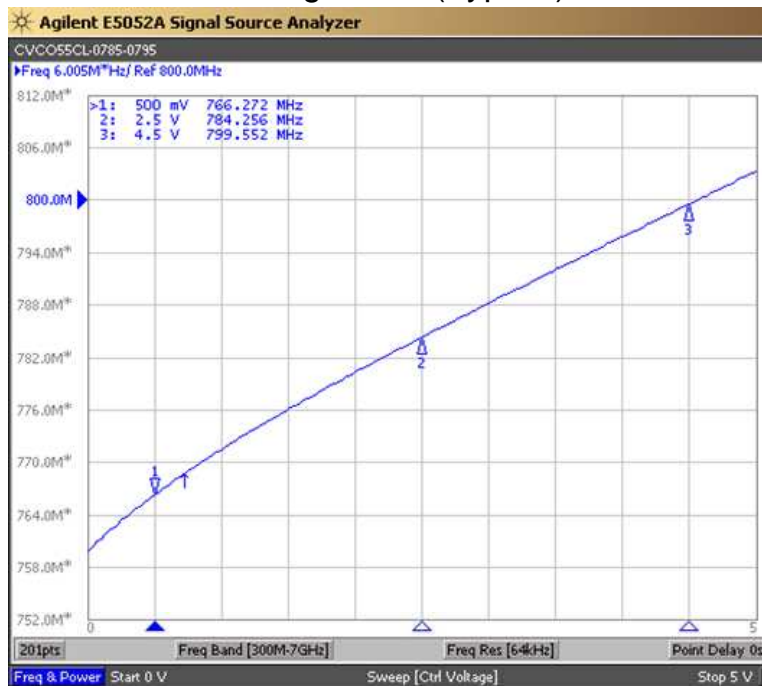




Phase Noise (1 Hz BW, Typical)



Tuning Curve (Typical)



**Product Control:**

|                      |                    |               |           |
|----------------------|--------------------|---------------|-----------|
| Crystek Part Number: | CRBV55CL-0785-0795 | Release Date: | 14-Sep-10 |
| Revision Level:      | A                  | Responsible:  | C. Vales  |

Specification is subject to change without notice

