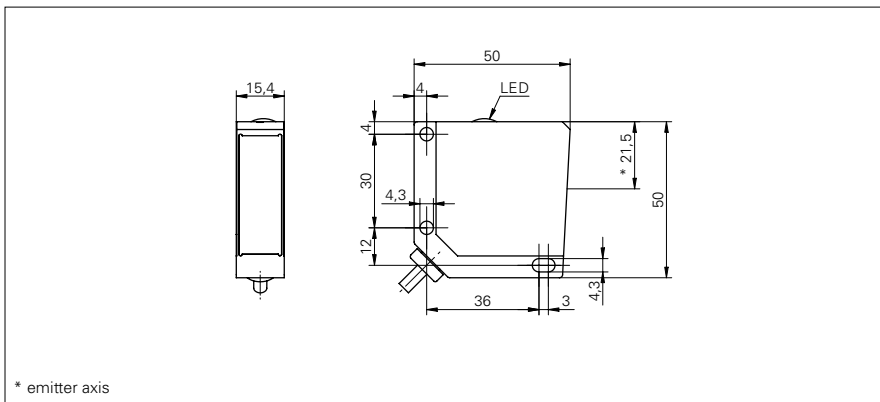


Through beam sensors

OSDM 16D9601

dimension drawing



general data

type	through beam laser sensor
emitter / receiver	emitter
light source	pulsed red laser diode
actual range S_b	8 m
repeat accuracy	< 0,4 mm at laser focus
laser class	1
distance to focus	400 mm
wave length	675 nm

electrical data

voltage supply range +Vs	10 ... 30 VDC
current consumption max. (no load)	75 mA
current consumption typ.	60 mA
reverse polarity protection	yes

mechanical data

width / diameter	15,4 mm
height / length	50 mm
depth	50 mm
type	rectangular
housing material	die-cast zinc
front (optics)	glass
connection types	cable 3 pin, 2 m

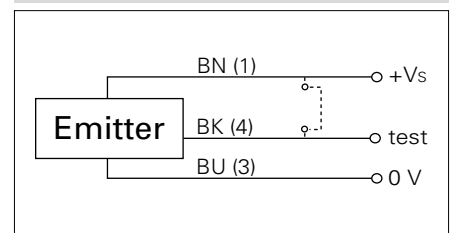
ambient conditions

operating temperature	10 ... +50 °C
protection class	IP 67

photo



connection diagram



laser warning

**CLASS 1 LASER
PRODUCT**

Complies with 21 CFR 1040.10 and 1040.11
except for deviations pursuant to laser
notice No. 50, dated June 24, 2007