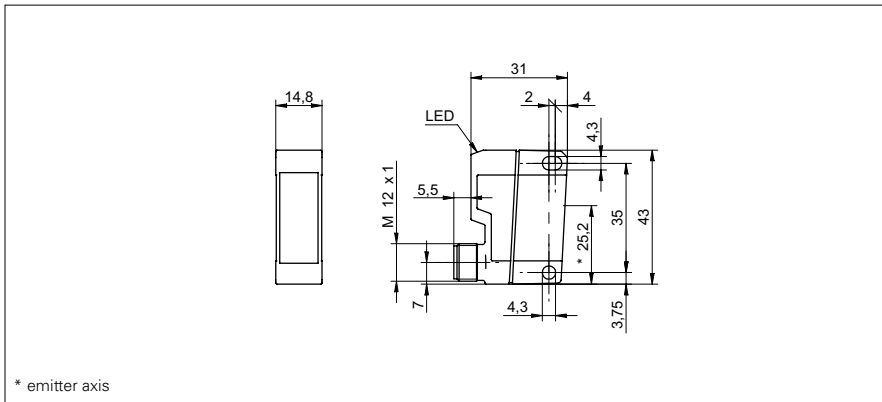


Through beam sensors

OSDK 14D9001/S14

dimension drawing



general data

type	through beam laser sensor
emitter / receiver	emitter
light source	pulsed red laser diode
actual range Sb	8 m
nominal range Sn	10 m
power on indication	LED green
laser class	1
distance to focus	parallel beam
wave length	650 nm

electrical data

voltage supply range +Vs	10 ... 30 VDC
current consumption max. (no load)	35 mA
current consumption typ.	25 mA
reverse polarity protection	yes

mechanical data

width / diameter	14,8 mm
height / length	43 mm
depth	31 mm
type	rectangular
housing material	plastic (ASA, MABS)
front (optics)	PMMA
connection types	connector M12 4 pin

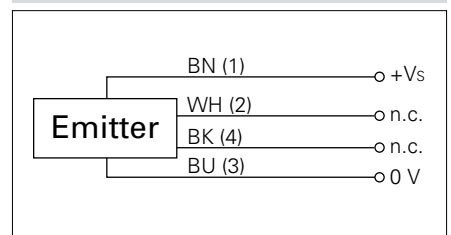
ambient conditions

operating temperature	10 ... +50 °C
protection class	IP 67

photo



connection diagram



laser warning

**CLASS 1 LASER
PRODUCT**

Complies with 21 CFR 1040.10 and 1040.11
except for deviations pursuant to laser
notice No. 50, dated June 24, 2007