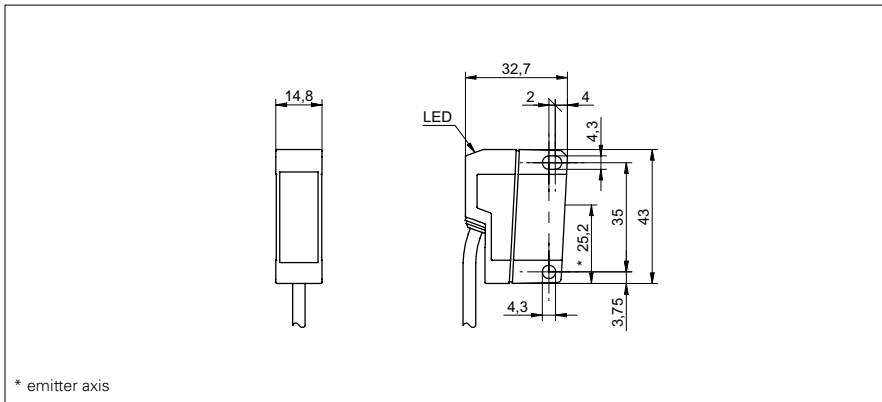


## Through beam sensors

## OSDK 14D9001

## dimension drawing



## general data

type	through beam laser sensor
emitter / receiver	emitter
light source	pulsed red laser diode
actual range $S_b$	8 m
nominal range $S_n$	10 m
power on indication	LED green
laser class	1
distance to focus	parallel beam
wave length	650 nm

## electrical data

voltage supply range +Vs	10 ... 30 VDC
current consumption max. (no load)	35 mA
current consumption typ.	25 mA
reverse polarity protection	yes

## mechanical data

width / diameter	14,8 mm
height / length	43 mm
depth	31 mm
type	rectangular
housing material	plastic (ASA, MABS)
front (optics)	PMMA
connection types	cable 4 pin, 2 m

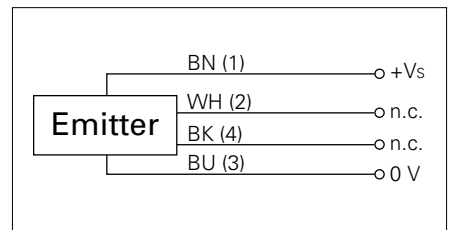
## ambient conditions

operating temperature	10 ... +50 °C
protection class	IP 67

## photo



## connection diagram



## laser warning

**CLASS 1 LASER  
PRODUCT**

Complies with 21 CFR 1040.10 and 1040.11  
except for deviations pursuant to laser  
notice No. 50, dated June 24, 2007