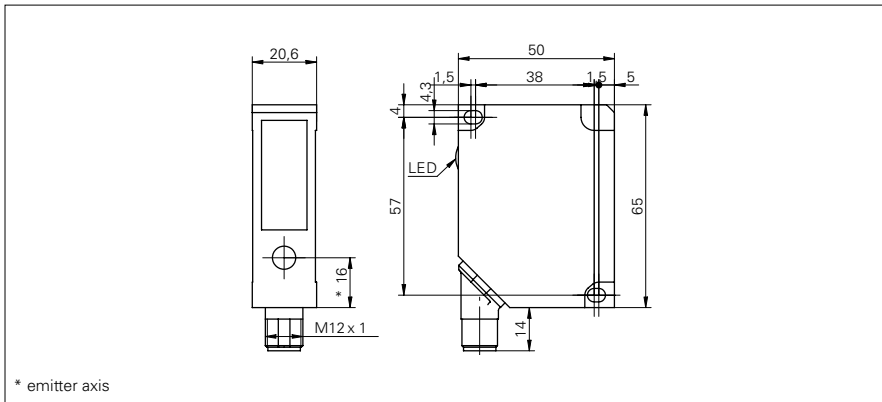


Distance sensors

OADM 20S4571/S14F

dimension drawing



general data

measuring distance Sd	100 ... 500 mm
adjustment	no
power on indication	LED green
soiled lens indicator	LED red
resolution	0,2 ... 0,5 mm
linearity error	± 0,8 ... ± 2 mm
light source	pulsed red laser diode
wave length	650 nm
laser class	2
beam type	line
beam width	2,5 mm
beam height	5,5 ... 18 mm
temperature drift	< 0,04 % Sde/K

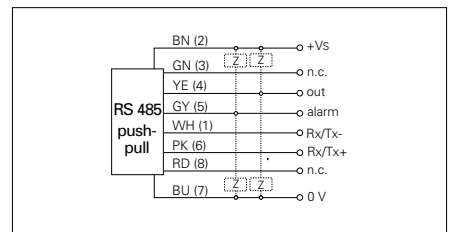
photo



electrical data

response time / release time	< 10 ms
voltage supply range +Vs	12 ... 28 VDC
current consumption max. (no load)	100 mA
output circuit	RS 485
baud rate	19200
output current	< 100 mA
alarm output	push-pull
short circuit protection	yes
reverse polarity protection	yes, Vs to GND

connection diagram



mechanical data

width / diameter	20,6 mm
height / length	65 mm
depth	50 mm
type	rectangular
housing material	die-cast zinc
front (optics)	glass
connection types	connector M12 8 pin, rotatable

alignment of the laser line



Distance sensors

OADM 20S4571/S14F

ambient conditions

ambient light immunity	< 12 kLux
operating temperature	0 ... +50 °C
protection class	IP 67

laser warning

LASER RADIATION
DO NOT STARE INTO BEAM
Wavelength: 620...690nm
Max. av. Output: < 1mW
IEC 60825-1, Ed. 2, 2007
CLASS 2 LASER PRODUCT

Complies with 21 CFR 1040.10 and 1040.11 except for deviations
pursuant to laser notice No. 50, dated June 24, 2007