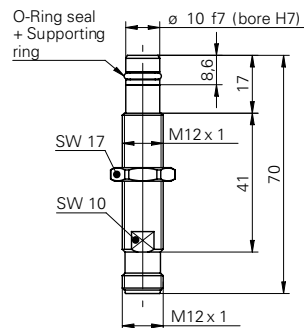


## Inductive sensors special versions

## IFRP 12P1504/S14

## dimension drawing



## general data

mounting type	shielded
special type	high pressure
nominal sensing distance $S_n$	2 mm
hysteresis	2 ... 20 % of $S_n$

## electrical data

switching frequency	< 5 kHz
voltage supply range +Vs	10 ... 30 VDC
current consumption max. (no load)	12 mA
output circuit	PNP make function (NO)
voltage drop $V_d$	< 2 VDC
output current	< 200 mA
short circuit protection	yes
reverse polarity protection	yes

## mechanical data

type	cylindrical threaded
material (sensing face)	ceramic
housing material	stainless steel
pressure static	< 500 bar
pressure dynamic	< 350 bar
dimension	12 mm
housing length	70 mm
connection types	connector M12

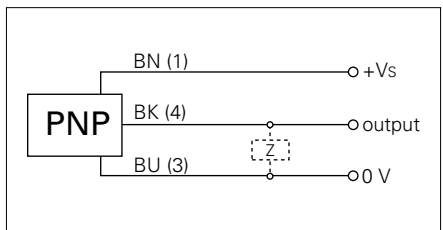
## ambient conditions

operating temperature	-25 ... +80 °C
protection class	IP 68/67 (sensing face/sensor)

## photo



## connection diagram



## installation drawing

