



**3A ULTRA LOW DROPOUT LINEAR REGULATOR**

**FEATURES**

- Ultra Low Dropout 0.21V(typical) @ 2A Output Current for 1.2V Output Voltage
- Low ESR Output Capacitor (Multi-layer Chip Capacitors (MLCC)) Applicable
- EN Pull-low for APE8981MP-A  
EN Pull-high for APE8981MP-B
- Fast Transient Response
- Adjustable Output Voltage by External Resistors
- Power-On-Reset Monitoring on Both VCNTL and VIN Pins
- Internal Soft-Start
- Current-Limit and Thermal Shutdown Protection
- Power-OK Output with a Delay Time
- SO-8 with Exposed Pad Pb-Free & DFN 3x3-10L Package.
- Halogen Free Product

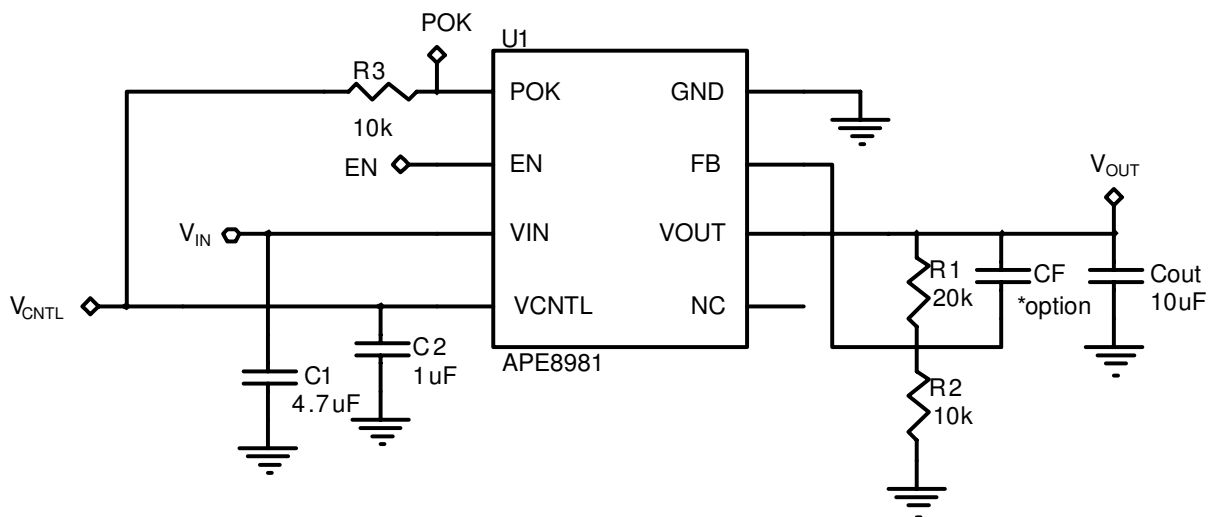
**DESCRIPTION**

The APE8981 series is a 3A ultra low dropout linear regulator. This product is specifically designed to provide well supply voltage for front-side-bus termination on motherboards and NB applications. The IC needs two supply voltages, a control voltage for the circuitry and a main supply voltage for power conversion, to reduce power dissipation and provide extremely low dropout. The APE8981 series integrates many functions. A Power-On-Reset (POR) circuit monitors both supply voltages to prevent wrong operations. A thermal shutdown and current limit functions protect the device against thermal and current over-loads. A POK indicates the output status with time delay which is set internally. It can control other converter for power sequence.

The APE8981 series can be enabled by other power system. Pulling and holding the EN pin below 0.4V shuts off the output.

The APE8981 series is available in DFN 3x3-10L & ESOP-8 package which features small size as SO-8 and an Exposed Pad to reduce the junction-to-case resistance.

**TYPICAL APPLICATION**



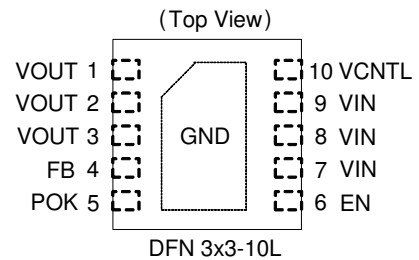
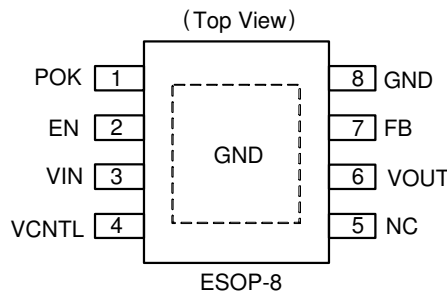


**PACKAGE/ORDERING INFORMATION**

**APE8981X-X - HF**

Halogen Free

Package Type	EN Function
MP : ESOP-8	A : Internal Pull Low
GN3 : DFN 3x3-10L	B : Internal Pull High



**ABSOLUTE MAXIMUM RATINGS (Note1)**

CNTL Supply Voltage ( $V_{CNTL}$ )	-----	-0.3V To 6.5V
Input Supply Voltage ( $V_{IN}$ )	-----	-0.3V To 6.5V
EN & FB Pin Voltage ( $V_{EN}/V_{FB}$ )	-----	-0.3V To $VCNTL+0.3V$
Power Good Voltage ( $V_{POK}$ )	-----	-0.3V To 6.5V
Power Dissipation ( $P_D$ )	-----	2.5W
Storage Temperature Range ( $T_{ST}$ )	-----	-65°C To 150°C
Junction Temperature Range ( $T_J$ )	-----	-40°C To 150°C
Thermal Resistance Junction to Ambient ( $R_{thja}$ ) <sup>Note.</sup>		
	ESOP-8 -----	40°C/W
	DFN 3x3-10L	62.5°C/W
Thermal Resistance Junction to Case ( $R_{thjc}$ ) <sup>Note</sup>		
	ESOP-8 -----	15°C/W
	DFN 3x3-10L	17°C/W

Note. mounted on a Demo board

**RECOMMENDED OPERATING CONDITIONS**

Operating Junction Temperature Range ( $T_{OJ}$ )	-----	-40°C To 125°C
Operating Ambient Temperature Range ( $T_{OA}$ )	-----	-40°C To 85°C
VCNTL Supply Voltage ( $V_{CNTL}$ )	-----	3V To 6V
Input Supply Voltage ( $V_{IN}$ )	-----	1.1V To 5.5V
Output Voltage ( $V_{OUT}$ )@ $V_{CNTL} \geq V_{OUT} + 2.5V$	-----	0.8V To 2.8V
Output Current ( $I_{OUT}$ )	-----	0A To 3A



**ELECTRICAL SPECIFICATIONS**

$V_{CNTL}=5V, V_{IN}=1.8V, V_{OUT}=1.2V, T_A=25^{\circ}C$  unless otherwise specified

Parameter	SYM	TEST CONDITION	MIN	TYP	MAX	UNITS	
$V_{CNTL}$ Operation Voltage	$V_{CNTL}$		2.8	-	5.5	V	
$V_{IN}$ POR Threshold	$V_{IN}$		0.8	0.9	1	V	
$V_{IN}$ POR Hysteresis	$V_{IN(hys)}$		-	0.5	-	V	
$V_{CNTL}$ Nominal Supply Current	$I_{CNTL}$	EN= $V_{CNTL}$	-	1.3	-	mA	
$V_{CNTL}$ Shutdown Current	$I_{SD}$	EN=0V	APE8981MP-A	-	-	1	uA
			APE8981MP-B	-	10	30	
Feedback Voltage	$V_{FB}$	$V_{CNTL}=3 \sim 6V, I_{OUT}=10mA,$ $V_{IN}=V_{OUT}+0.5\sim 5.5V$	0.784	0.8	0.816	V	
Load Regulation		$I_{OUT}=0A \sim 2A$	-	0.5	1	%	
On Resistance	$R_{DS(ON)}$	$I_{OUT}=100mA, V_{CNTL}=V_{EN}=5.0V,$ $V_{OUT}=1.2V$	-	105	150	m $\Omega$	
Dropout Voltage	$V_{DROP}$	$I_{OUT} = 2A, V_{CNTL}=5V, V_{OUT} = 1.2V$	-	0.21	0.3	V	
$V_{OUT}$ Pull Low Resistance		EN=0V	-	40	-	$\Omega$	
Soft Start Time	$T_{SS}$		-	0.2	-	ms	
EN Pin Logic High Threshold Voltage	$V_{ENH}$	Enable	1.2	-	-	V	
	$V_{ENL}$	Disable	-	-	0.6		
EN Pin Pull-Up Current	$I_{EN}$	EN=5V, APE8981MP-A	-	10	20	uA	
		EN=GND, APE8981MP-B	-	10	20		
Current Limit	$I_{LIM}$	$V_{CNTL}=5V, V_{IN}=V_{OUT}+1V$	3.1	-	-	A	
Ripple Rejection	$V_{IN}$	PSRR $F=120Hz, I_{OUT}=100mA$	-	65	-	dB	
	$V_{CNTL}$		-	65	-		
POK Threshold Voltage for Power OK	$V_{POK}$	VFB Rising	92%	94%	96%	$V_{FB}$	
POK Threshold Voltage for Power Not OK	$V_{PNOK}$	VFB Falling	83%	88%	91%	$V_{FB}$	
POK Low Voltage		POK sinks 5mA	-	-	0.1	V	
POK Delay Time	$T_{DELAY}$		0.8	2	10	ms	
Thermal Shutdown Threshold <sup>(Note1)</sup>	$T_{SD}$		-	160	-	$^{\circ}C$	
Thermal Shutdown Hysteresis <sup>(Note1)</sup>			-	40	-	$^{\circ}C$	

Note1: Guarantee by design, not production tested.

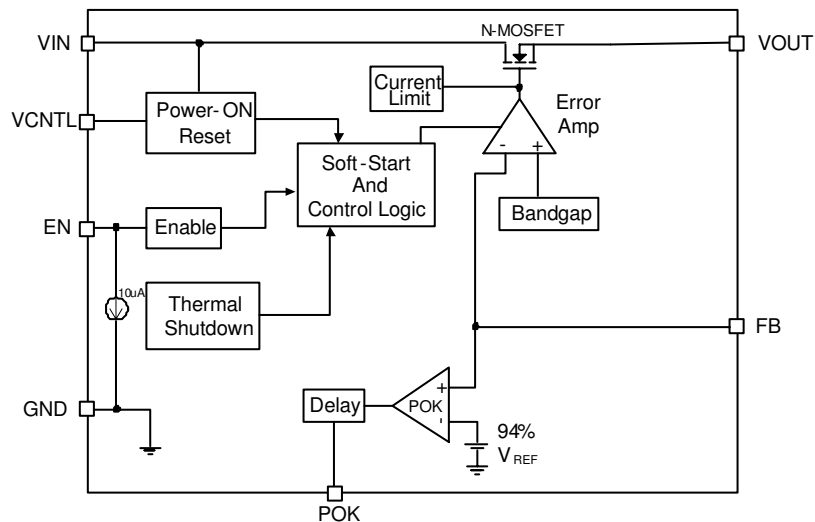


**PIN DESCRIPTIONS**

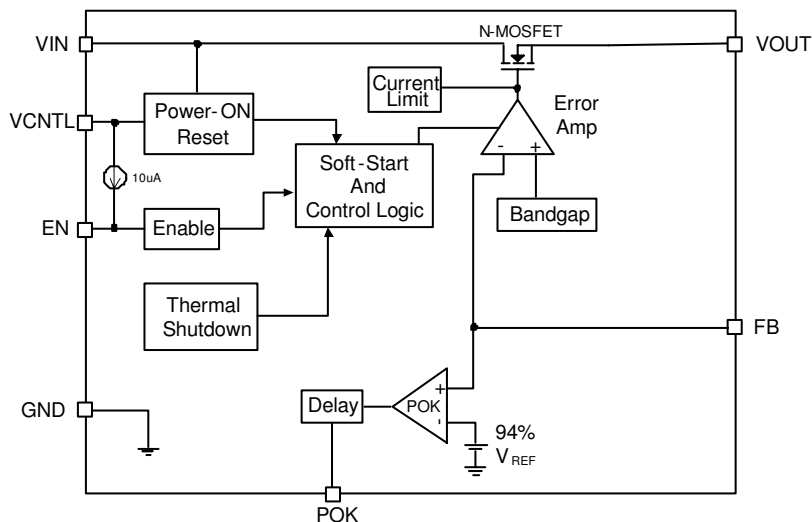
PIN SYMBOL	PIN DESCRIPTION
POK	Power OK Output Pin
EN	Internal Pull High (APE8981MP-B) or Pull Low (APE8981MP-A) EN=High or Floating → Enable EN=Low → Shutdown Mode
VIN	Supply input for power conversion. The pin is monitored for Power-On Reset purpose.
VCNTL	Power input pin of the control circuitry. The pin is monitored for Power-On Reset purpose.
NC	No Connect
VOUT	Output Voltage
FB	Feedback Pin
GND	GND Pin

**BLOCK DIAGRAM**

**APE8981MP-A**



**APE8981MP-B**





---

## PIN DESCRIPTION

### FB

Connecting this pin to an external resistor divider receives the feedback voltage of the regulator. The output voltage set by the resistor divider is determined by:

$$V_{OUT} = 0.8 \cdot \left( 1 + \frac{R1}{R2} \right) \quad (V)$$

Where R1 is connected from VOUT to FB with Kelvin sensing and R2 is connected from FB to GND. A bypass capacitor may be connected with R1 in parallel to improve load transient response. The R2 range in 1K~4.7K $\Omega$  for AL output capacitor and 30K~100K $\Omega$  for MLCC output capacitor are recommended.

### VIN

Main supply input pins for power conversions. The voltage at this pin is monitored for Power-On Reset purpose.

### VCNTL

Power input pin of the control circuitry. Connecting this pin to a +5V (recommended) supply voltage provides the bias for the control circuitry. The voltage at this pin is monitored for Power-On Reset purpose.

### POK

Power-OK signal output pin. This pin is an open-drain output used to indicate status of output voltage by sensing FB voltage. This pin is pulled low when the rising FB voltage is not above the VPOK threshold or the falling FB voltage is below the VPOK threshold, indicating the output is not OK.

### EN

Enable control pin. Pulling and holding this pin below 0.4V shuts down the output. When re-enabled, the IC undergoes a new soft-start cycle. For APE8981MP-B, this pin is internal pulled up to VCNTL voltage, enabling the regulator. For APE8981MP-A, this pin is internal pulled down to GND voltage, shutdown the regulator. The pull-high current is 10uA (typ.)

### VOUT

Output of the regulator. Please connect Pin 6 using wide tracks. It is necessary to connect an output capacitor with this pin for closed-loop compensation and improving transient responses.

---

## FUNCTION DESCRIPTION

### Power-On-Reset

A Power-On-Reset (POR) circuit monitors both input voltages at VCNTL and VIN pins to prevent wrong logic controls. The POR function initiates a soft-start process after the two supply voltages exceed their rising POR threshold voltages during powering on. The POR function also pulls low the POK pin regardless the output voltage when the VCNTL voltage falls below its falling POR threshold.

### Internal Soft-Start

An internal soft-start function controls rise rate of the output voltage to limit the current surge at start-up. The typical soft-start interval is about 0.2ms.

### Output Voltage Regulation

An error amplifier working with a temperature compensated 0.8V reference and an output NMOS regulates output to the preset voltage. The error amplifier designed with high bandwidth and DC gain provides very fast transient response and less load regulation. It compares the reference with the feedback voltage and amplifies the difference to drive the output NMOS which provides load current from VIN to VOUT.



---

## **FUNCTION DESCRIPTION**

### **Current-Limit**

The APE8981 monitors the current via the output NMOS and limits the maximum current to prevent load and APE8981 from damages during overload or short circuit conditions.

### **Thermal Shutdown**

A thermal shutdown circuit limits the junction temperature of APE8981. When the junction temperature exceeds +160 °C, a thermal sensor turns off the output NMOS, allowing the device to cool down. The regulator regulates the output again through initiation of a new soft-start cycle after the junction temperature cools by 40 °C, resulting in a pulsed output during continuous thermal overload conditions. The thermal shutdown designed.

---

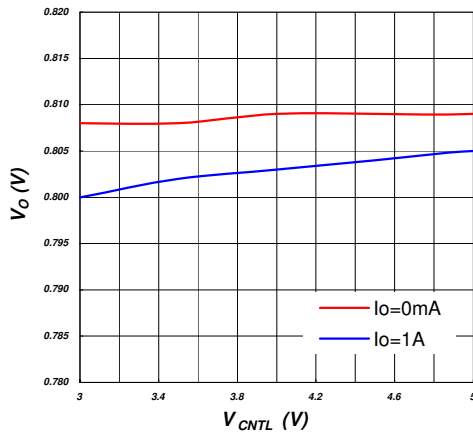
## **APPLICATION INFORMATION**

### **Capacitor Selection**

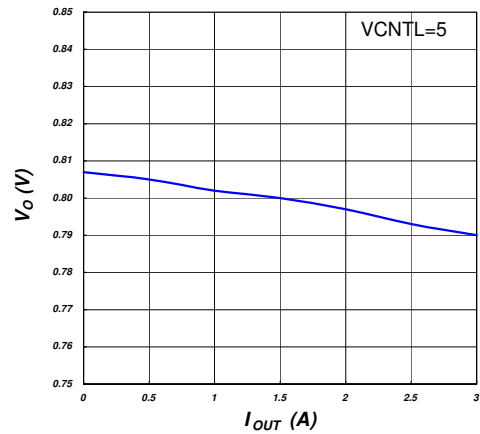
Normally, use a MLCC capacitor on the input and output of the APE8981. Larger input capacitor values provide better supply-noise rejection and transient response. A higher- value output capacitor may be necessary if large, fast transients are anticipated and the device is located several inches from the power source. The X5R and X7R type in MLCC is recommended. For aluminum electrolytic capacitor application, 100uF in input capacitor and 220uF in output capacitor ( $30\text{m } \Omega < \text{ESR} < 200\text{m } \Omega$ ) are recommended. Output capacitor of larger capacitance can reduce noise and improve load transient response, stability, and PSRR.



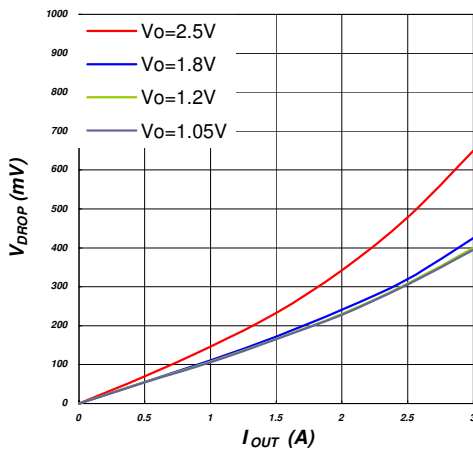
## TYPICAL PERFORMANCE CHARACTERISTICS



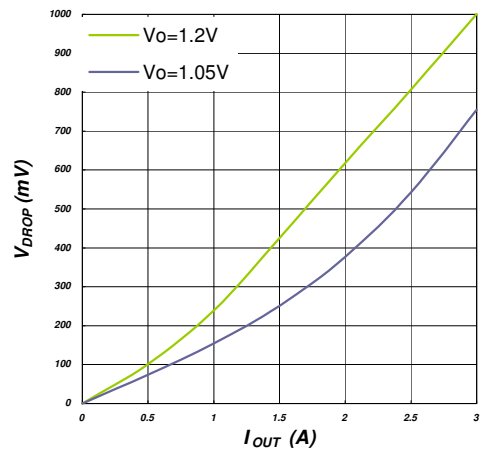
Line Regulation



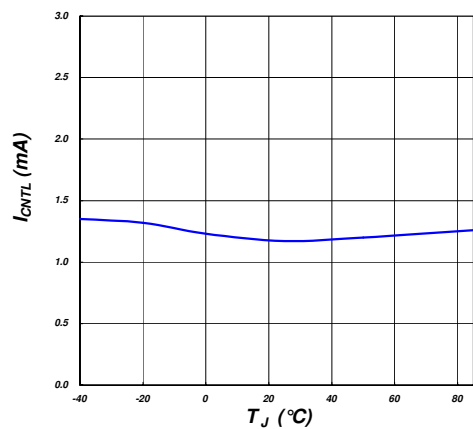
Load Regulation



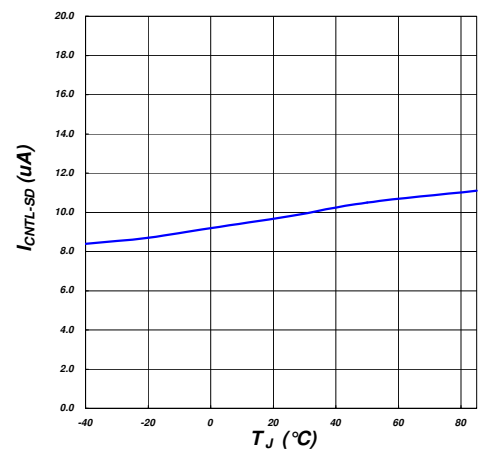
Dropout Voltage at  $V_{CNTL}=5\text{V}$



Dropout Voltage at  $V_{CNTL}=3.3\text{V}$



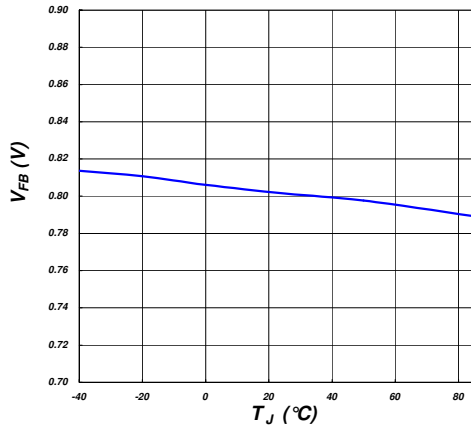
$I_{CNTL}$  vs.  $T_J$



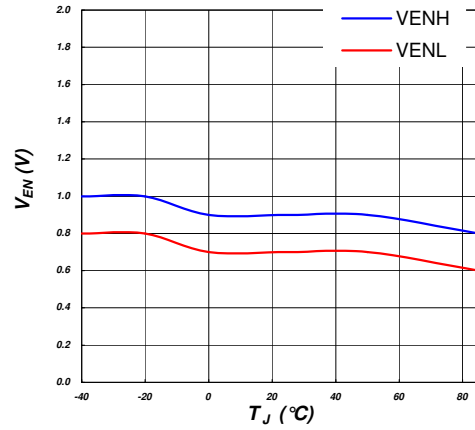
$I_{CNTL-SD}$  (APE8981MP-B) vs.  $T_J$



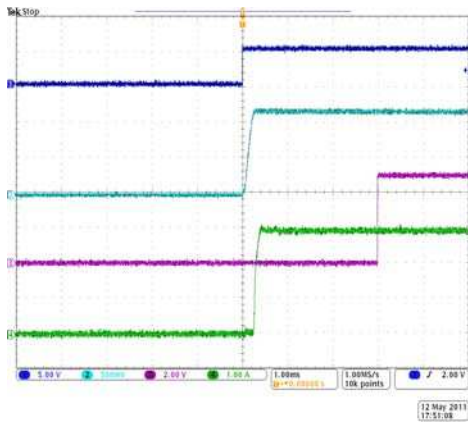
# TYPICAL PERFORMANCE CHARACTERISTICS



$V_{FB}$  vs.  $T_J$

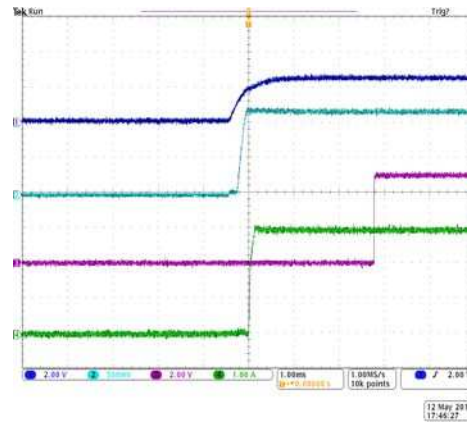


$V_{EN}$  vs.  $T_J$



EN on with POK Delay

$V_{EN}$   
 $V_{OUT}$   
POK  
 $I_{OUT}=3A$



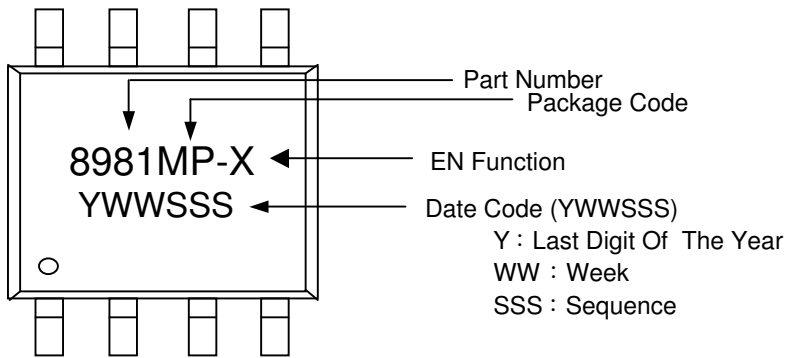
VIN Power -ON

$V_{IN}$   
 $V_{OUT}$   
POK  
 $I_{OUT}=3A$



**MARKING INFORMATION**

**ESOP-8**



**DFN 3x3-10L**

